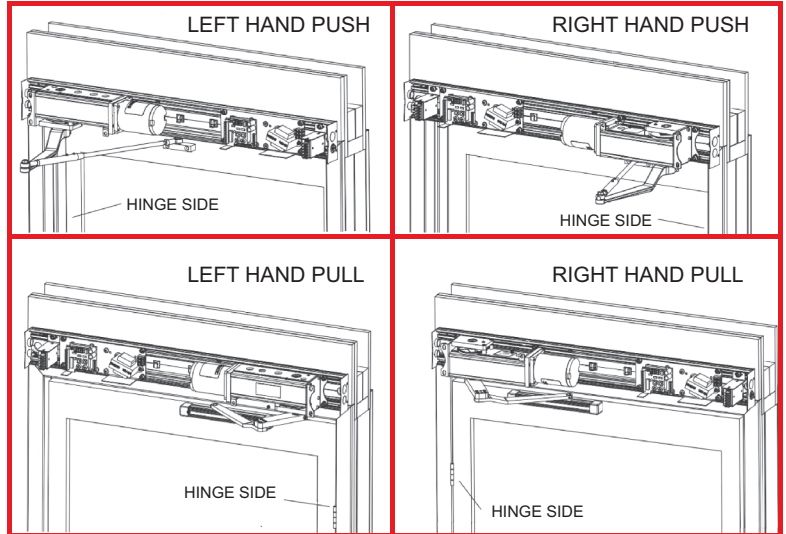
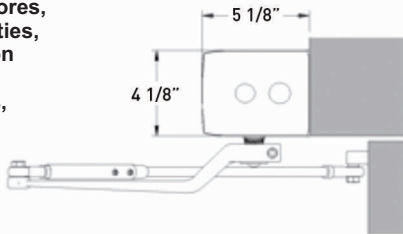


HA8-LP Low Profile, Low Energy Operator Kits

Specify Push or Pull (Handing Reversible)

Ideal For:
Hospitals, Retail Stores,
Schools & Universities,
Airports, Convention
Centers, Casinos
Industrial Buildings,
Offices



HA8-LP-EZ-36-KIT's

Simply order the EZ36 and receive everything you need to automate a door in one box.

The Kit Includes:

- Ditec HA8-LP Operator for a 36" Door
- (2) Square 4.5" Push Plates
- (2) Surface Mount Boxes
- (2) 900 MHz Wireless Transmitters
- (1) 900 MHz Receiver

Options include the Universal Arm,
Push Arm or Pull Arm in Clear
or Dark Bronze.



Part # Specify: Push or Pull, Finish, Hand
DIHA8-LP-EZ36-PUSH/PULL-CL/BRZ-LH/RH

\$4,453.00

Part # Universal Arm Finish
DIHA8-LP-EZ36-UNIV-CL/BRZ

Finishes:
CL=Clear
BR=Dark Bronze

\$4,568.00

HA9-LP Full Featured, Low Energy Operator

QUALITY HEAVY DUTY COMMERCIAL CONSTRUCTION
Electro Mechanical Design – for simple dependable operation
Door Stop engineered to resist abusive situations
Cast Alloy Arms
Quiet Operation

INNOVATIVE FEATURES

- Power Assist One Touch Learn Cycle
- Plug-n-Play design for fast trouble free installation
- Stack Pressure Compensation
- Adapts to environmental conditions
- Electric Strike Integration
- Lock Retry
- Compatible with most safety and activation devices Integrates with building access & security systems
- Energy Saving for low running cost

BUILT IN SAFETY

- Lock Kick for a positive latch during fire/safety events
- Stop on Stall
- Reverse on Obstruction Sensor Monitoring

DURABLE

- Built to outlast the competition
- Perfect for high traffic locations



DIHA9-PUSH or Pull-CLR or BRZ

\$3,456.00