

7400 Series Surface Door Closer

The 7400 series door closer is the ideal solution in a wide variety of applications, including Barrier-free. This grade 1 hydraulic surface door Closer is both flexible and easy to install. It offers a compact design and is available in a Variety of sprayed finishes to complement Any opening's decor. Door closer certified for ANSI grade 1.

- Features an adjustable backcheck, which provides cushioning when the door is abusively opened.
- Designed to provide a highly flexible door control system suitable for use on all hollow metal, aluminum, and wood Doors typically used in commercial construction.
- Has two independent valves to separately control sweep and latch closing speeds and provide constant speeds when temperatures change.



9-1/16" Hole Pattern

DR7414ARP-689	Aluminum Tri-Pack	1-4	\$244.00
DR7414ARP-695	Duranodic Bronze Tri-Pack	1-4	
DR7436ARP-689	Aluminum Tri-Pack	3-6	
DR7436ARP-695	Duranodic Bronze Tri-Pack	3-6	

8600 Series Surface Door Closer

Grade 1

The 8600 door closer series is a non-handed surface applied door closer with adjustable spring power and backcheck positioning adjustment. It provides the flexibility needed to meet the many demands of commercial and institutional applications, including ADA barrier-free accessibility requirements.

- Adjustable Spring Sizes And Power
- Meets Barrier-Free Requirements
- Adjustable Backcheck
- Backed By 25 Year Warranty



DR8616AF86P-COV-SNB1-689
Aluminum Tri-Pack

DR8616AF86P-COV-SNB1-695
Duranodic Bronze Tri-Pack

\$364.00

DR8616AR-COV-SNB1-695
Duranodic Bronze Tri-Pack

\$337.00

8900 Series Heavy-Duty Surface Door Closer

The 8900 door closer series is designed to provide a highly flexible door control system suitable for institutional or high-traffic commercial applications. Its hydraulic control system features a full range spring power adjustment and backcheck, along with a narrow projection full cover and flatform style arm. Door closer certified for ANSI grade 1.

- Protects doors and their adjacent structures.
- Valve adjustment regulates backcheck intensity.
- Positioning adjustment for parallel arm applications provides a consistent range similar to regular and top jamb applications.



DR8916AF86P-689 Aluminum

DR8916AF86P-695 Duranodic Bronze **\$513.00**

DR8916AF86P-626 Satin Chrome **\$859.00**

U1500 Series Surface Door Closer

The U1500 surface closer is designed to match the most common commercial hole pattern, making it an affordable distribution product for aftermarket replacement.

ANSI Grade 1 Certification
10-year Warranty

- Two Independent Valves To Separately Control Sweep And Latch Closing Speeds

- Ideal for new or retrofit aluminum storefront applications where a grade 1, value-conscious solution is required using the most common mounting pattern in the industry.



DRU1500PA-689
Aluminum Tri-Mount

DRU1500PA-695
Duranodic Bronze Tri-Mount

\$181.00

DROP PLATES FOR U1500 SERIES

DRDP73-689
Aluminum

DRDP73-695
Duranodic Bronze

\$31.00



BTS75V/BTS80 Series Floor-Concealed Closers

The BTS75V and BTS80 series of floor-concealed door closers offer adaptability to almost any installation. The closer's compact body permits its use where a larger closer would be prohibitive. Versatility allows installation in thin slab concrete subfloor construction. A wide selection of interchangeable spindles makes them suitable for virtually any floor covering or threshold application.

- Concealed Installation
- Non-Handed For Single And Double-Acting Doors
- Mechanical Backcheck

BTS75V



BTS80

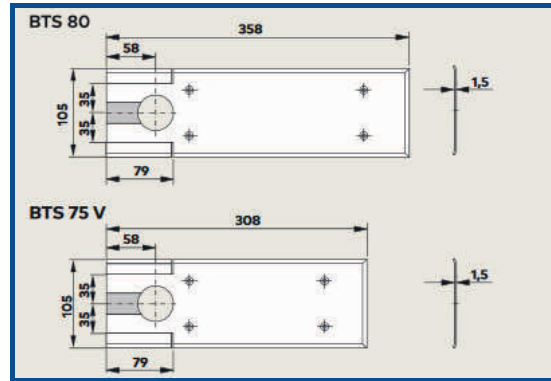


BTS75V Only: Adjustable Spring Size 1-4
BTS80 Only: Fixed Spring Sizes

DRBTS75V-105	105° Hold Open	\$1,111.00
DRBTS75V-90	90° Hold Open	\$1,111.00
DRBTS75V-NHO	Non-Hold Open	\$1,050.00
DRBTS80-3 or 4	Adjustable	\$1,147.00

Universal Cover Plate

Adaptable to right or left hand single action applications by simply snapping off the appropriate pre-blanked corner sections. For double action doors, the corner sections remain in place. The universal cover plate is available in stainless steel or satin brass (material thickness 1.5mm).



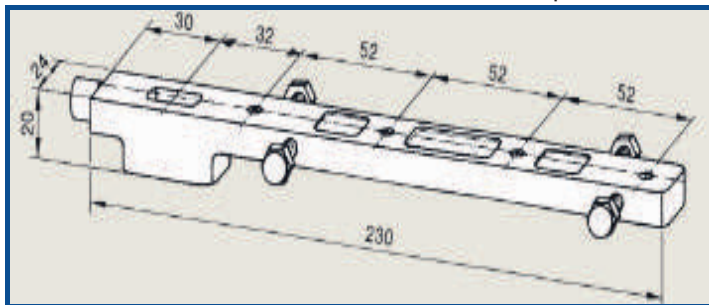
DR7410-630
\$127.00

DR7510-630
\$127.00

Universal Bottom Strap For Wood or Steel Doors

Drop forged steel, zinc-plated;
 Adjustable to various frame profiles

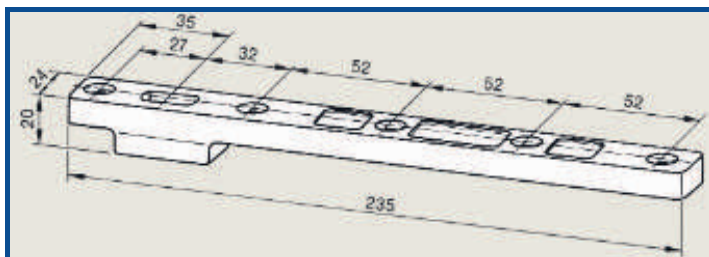
DR7421
\$82.00



Bottom Strap for Aluminum Doors

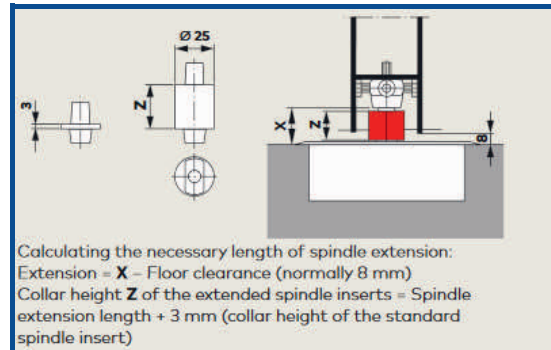
Drop Forged Steel, Zinc-Plated
 For Door Weights Up To 300 Kg.

DR7422
\$111.00



Spindles

A range of interchangeable spindles is available to provide greater floor clearance if required (e.g. doors with thresholds, carpeted floors etc).

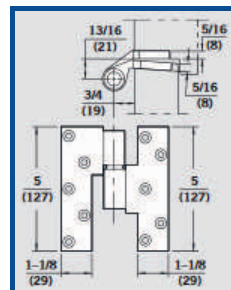


DR74003
 5/16" Clearance

DR74005
 1/2" Clearance

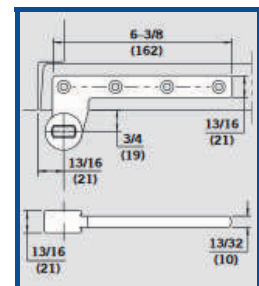
DR74010
 5/8" Clearance
\$80.00

Intermediate Pivot
 3/4" Offset Standard-Duty



DR75220-LH or RH-626
\$302.00

Bottom Arm
 3/4" Offset Standard-Duty



DR75323-LH or RH-689
\$112.00

*We Also have 5mm Extended Spindle, & Size 4 Strength. Ask Customer Service For More Information.

9000 Series Exit Device

The Dorma 9000 series wide stile exit device features a heavy duty cast chassis for superior durability, while the smooth reduced projection touchbar assembly minimizes catch hazards. The partial length touchpad permits field installation of options such as cylinder dogging and exit alarm. A full complement of free wheeling lever trim is available in a wide range of architectural finishes.

Wide stile touchbar and rail, chassis, latch bolt covers, and end cap are fabricated and finished in true base metal

- End cap for touchbar assembly furnished in complementary finish.
- Most devices easily field-reversible.
- Fasteners provided for metal and wood door applications.
- Free wheeling, vandal-resistant trim standard.

Exit Device



DR9300B-436-630	36"	\$1,346.00
DR9300A-436-630	48"	

Exit Trims



DRYR08-630
\$537.00



DRYR23-630
\$430.00

RTS88 Series Overhead Concealed Closer

The RTS88 is designed to give lasting, dependable service where surface applied units and other types of closers are not suitable, or would interfere with the architectural design. It can be easily installed in wood, aluminum, or hollow metal doors and frames, for single and double-acting doors.



- Concealed installation
- For single and double-acting doors
- A cushion at 90° or 105° is provided to help protect the door and frame

DRRTS88-90-HO-SZ3	90° Hold Open	\$443.00
DRRTS88-90-HO-SZ3-5mm	90° Hold Open	
DRRTS88-90-NHO-SZ3	90° Non-Hold Open	
DRRTS88-90-NHO-SZ3-5mm	90° Non-Hold Open	
DRRTS88-105-HO-SZ3	105° Hold Open	
DRRTS88-105-NHO	105° Non-Hold Open	
DRRTS88-105-NHO-SZ3-5mm	105° Non-Hold Open	
DRRTS88-105-NHO-BFE	90° Non-Hold Open	

C800 Series

Grade 1 Heavy-Duty Cylindrical Locksets

The C800 series grade 1 heavy-duty cylindrical locksets provide exceptional security, enhanced aesthetics, and rugged dependability. These premium locks are built with a high performance cylindrical chassis for all applications where ANSI/BHMA a156 2 series 4000 grade 1 products are required. To meet the aesthetic needs of your project, these versatile locks are available in a range of levers or knob trim design.



Dorma C800 Series locksets are easy to install in both wood and hollow metal doors with ANSI/BHMA Standard A156.115 Preparations for cylindrical locks.

To ensure exceptionally smooth operation, the C800 series locks with lever trim incorporate a cast stainless steel retractor combined with roller bearings. This design provides both extremely high strength and an extended service life for the lock mechanism.

Part #	Function	Price
DRC853DLRC-626	Entry	\$552.00
DRC870DLRC-626	Classroom	
DRC880DLRC-626	Storeroom	

M9000 Series

Grade 1 Heavy-Duty Mortise Locksets

The M9000 series grade 1 heavy-duty mortise locksets provide exceptional security, enhanced aesthetics, and rugged dependability. These premium performance locksets are built with a heavy-duty mortise chassis for all applications where ANSI a156.13 grade 1 products are required. To meet the aesthetic needs of your project, these versatile locks are available in a range of standard and custom levers or knob design.

- Standard door thickness: 1-3/4"-2-1/4"...2-3/4" backset.
- Pivoting face plate allows lock case to fit flat face, standard bevel, and reverse bevel Door applications. Full length interlocking face plate supports both the latch and dead bolts against forced entry.
- Trim through-bolted through the lock case for positive alignment.



Complete locks available for special order. Ask customer service for information



Replacement Body Only

Part #	Description	Price
DR19043-L	Chassis M9025,80	\$303.00
DR19045-L	Chassis M9053,70,71	