

Pocket Door Locks

All Metal Construction



Finishing Ring

This sturdy lock provides a simple low-cost means of locking pocket doors. May be installed in almost any pocket door. Quick and easy install. No mortising. Fits doors 1 3/8" - 1 3/4" thick. Jamb strike furnished. Two keys furnished.

Part #	Description	Price
KVBX1062-26D	Dull Chrome KD	\$23.49
KVBX1062-26DA	Dull Chrome KA	
KVBX1062-3	Bright Brass KD	
KVBX1062-3A	Bright Brass KA	

Folding Door Locks

3/4" Dia. Trim Ring Included



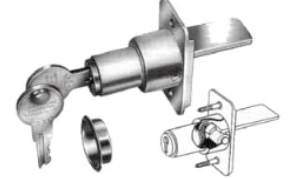
Back view showing how center panels lock together

Positive locking action. easy to mount. Only one 3/4" hole needed in one door. Strike is mounted on back side of opposite panel or on striking jamb. Key may be removed in either locked or unlocked position. Two keys supplied with each lock. Fits doors 3/4" to 1-3/8" thick as supplied. Can be used on 1-3/4" door by using 1" diameter trim ring #6856, sold separately.

Part #	Description	Price
KVPB1064-3	Bright Brass KD	\$18.49
KVPB1064-3A	Bright Brass KA	
KVPB1064-26D	Satin Chrome KD	
KVPB1064-26DA	Satin Chrome KA	

Sliding Door Locks

All Metal Construction

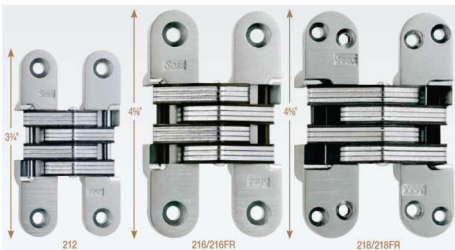


1" Dia. Trim Ring Included

A truly quality wardrobe lock. Patented, positive-action design with lock cylinder geared directly to the tongue. One-half turn of key locks or unlocks. fits doors 3/4" to 1 3/4" thick. Two keys furnished.

Part #	Description	Price
KVPB1068-26D	Dull Chrome KD	\$20.99
KVPB1068-26DA	Dull Chrome KA	
KVPB1068-3	Bright Brass KD	
KVPB1068-3A	Bright Brass KA	

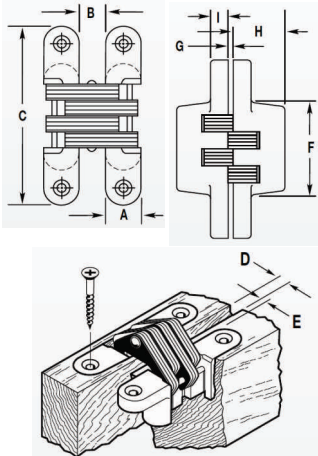
Soss Invisible Hinges



SOSS®

The larger sizes will handle doors of nearly any size. When closed, the SOSS invisible hinge cannot be seen or tampered with. When opened, the riveted hinge pin is non-removable. The moving pivot point remains inside the hinge during travel until fully opened, eliminating an external pinch point on the back side of the door. The installed hinge is anchored in a deep, full mortise, which assists the screws in supporting the door, assuring a stronger, more rigid installation.

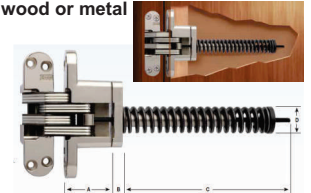
Key To Dimensions Shown In Chart



Part #	A	B	C	D	E	F	G	H	I	Price
UI101C-26D	3/8"	19/64"	1-11/16"	7/64"	3/32"	7/8"	1/32"	29/64"	7/32"	\$22.94/Pr
UI204C-US4	1/2"	23/64"	2-3/8"	7/64"	1/8"	1-1/4"	1/16"	23/32"	1/4"	\$26.12/Pr
UI204C-26D	1/2"	23/64"	2-3/8"	7/64"	1/8"	1-1/4"	1/16"	23/32"	1/4"	\$26.12/Pr
UI208-US4	5/8"	29/64"	2-3/4"	9/64"	5/32"	1-11/32"	3/64"	29/32"	9/32"	\$16.10/Ea
UI208-26D	5/8"	29/64"	2-3/4"	9/64"	5/32"	1-11/32"	3/64"	29/32"	9/32"	\$16.10/Ea
UI212-US4	3/4"	17/32"	3-3/4"	5/32"	3/16"	2-1/16"	3/64"	1-5/64"	3/8"	\$29.86/Ea
UI212-26D	3/4"	17/32"	3-3/4"	5/32"	3/16"	2-1/16"	3/64"	1-5/64"	3/8"	\$29.86/Ea
UI216-US4	1"	23/32"	4-5/8"	7/32"	1/4"	2-19/32"	1/16"	1-7/16"	15/32"	\$47.18/Ea
UI216-26D	1"	23/32"	4-5/8"	7/32"	1/4"	2-19/32"	1/16"	1-7/16"	15/32"	\$47.18/Ea
UI218-US4	1/8"	7/8"	4-5/8"	3/8"	1/4"	2-7/16"	1/16"	1-41/64"	13/32"	\$49.86/Ea
UI218-26D	1/8"	7/8"	4-5/8"	3/8"	1/4"	2-7/16"	1/16"	1-41/64"	13/32"	\$49.86/Ea
UI418-26D	1/8"	7/8"	4-5/8"	3/8"	1/4"	2-7/16"	1/16"	1-19/32"	13/32"	\$234.24/Ea

Invisible Closer Hinge

20 minute fire rated closer for wood or metal



UI216-IC-26D
1-3/8" Thick Door \$150.48/Ea

A	B	C	D
1-15/32"	3/8"	6-5/16"	3/4"

UI218-IC-26D
1-3/4" Thick Door \$164.82/Ea

A	B	C	D
1-41/64"	3/8"	7"	1"