



Pair-Matched™ Hinge Leaves
Manufactured together, machined together and anodized together, making select hinges fit your doors better and last longer.
An exclusive select benefit.



Lifetime Lubrication
Eliminates the need for periodic maintenance. Quiet performance. fights gear cap wear.
an exclusive select benefit.



Anodized After Machining
Delivers superior wear, durability and life. inhibits corrosion. Few hinge makers follow select's lead in using this superior manufacturing process.



Meets LEED Requirements
Made from up to 100% recycled aluminum. Reduces environmental impact and qualifies for lead points.
an exclusive select benefit.



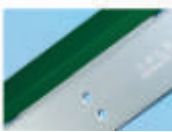
Patented 3-Hr. Fire Rating
Most select hinges are fire rated for 90 minutes. 3-hr fire rating, optional at extra cost, approved for positive/negative pressure. No fire pins or studs required.
patented design innovation.
an exclusive select benefit.



Consistent Templating
Hole pattern is identical on both standard and heavy duty models, so select hinges line up precisely for easier and faster installation.
An exclusive select benefit.



Coated Fasteners
Provide additional corrosion protection with either self-drilling, thread-forming (SDTF) or thread-forming (TF) screws.
an exclusive select benefit.



Custom Colors
Match any paint color on the gear cap or the entire hinge and fasteners, including our always-in-stock bone white gear caps. anodized colors also available.

Pivot Hinge Hole Cover

Instantly improve the appearance of your door or frame by covering the unsightly holes left by previous pivot hinge preps. Easy, self-adhesive application. keeps out insects, dirt and water.

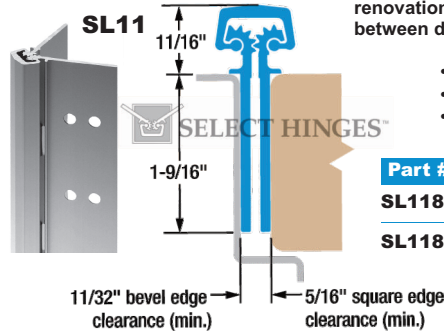
\$6.08 Ea



SLPIVCOVERB
Dark Bronze
SLPIVCOVERG
Gray

Approximately
1-11/16" W x 31/32" H

Concealed Hinges



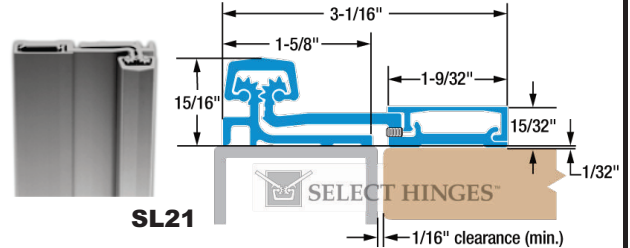
No mortise required. For new construction or renovation. 5/16" clearance required at hinge side between door and frame

- Alignment stop on each leaf
- Flush mounted (no door inset)
- For 1-3/4" doors

Part #	Finish	Lgth	Price
SL1183BR	Dark Bronze Anodized	83"	\$156.00
SL1183CL	Clear Anodized Alum.	83"	\$126.00

Full Surface

Surface mount on face of existing or new door and frame. Ideal for renovation/retrofit or new construction.

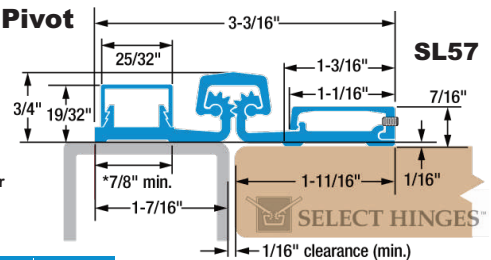


Part #	Finish	Lgth	Price
SL2183BR	Dark Bronze Anodized	83"	\$230.00
SL2183CL	Clear Anodized Alum.	83"	\$181.00
SL2195BR	Dark Bronze Anodized	95"	\$286.00
SL2195CL	Clear Anodized Alum.	95"	\$221.00

- Swing-clear action
- Tamper-resistant, removable door leaf cover
- 1/32" door inset
- Standard barrel nuts fit 1-3/8" to 1-3/4" doors
- Long barrel nuts available for 2" to 2-1/4" doors

Full Surface-Center Pivot

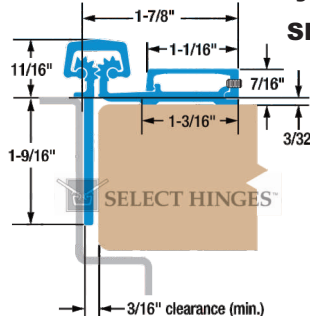
- Fits narrow (7/8") frame face
- Tamper-resistant, removable door leaf cover
- Center pivot
- Standard barrel nuts fit 1-3/8" to 1-3/4" doors
- Long barrel nuts available for 2" to 2-1/4" doors



Part #	Finish	Lgth	Price
SL5783BR	Dark Bronze Anodized	83"	\$230.00
SL5783CL	Clear Anodized Alum.	83"	\$177.00

Half Surface - Heavy Duty

The perfect solution for renovation/retrofit or new construction.



- Narrow frame leaf
- Tamper-resistant, removable door leaf cover
- 3/32" door inset
- Standard barrel nuts fit 1-3/8" to 1-3/4" doors
- Long barrel nuts available for 2" to 2-1/4" doors

Part #	Finish	Lgth	Price
SL5383BRH	Dark Bronze Anodized	83"	\$279.00
SL5383CLH	Clear Anodized Alum.	83"	\$214.00
SL5395BRH	Dark Bronze Anodized	95"	\$336.00
SL5395CLH	Clear Anodized Alum.	95"	\$265.00