



**ASSA ABLOY**

A

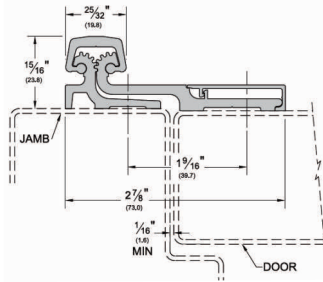
**Accredited Lock Supply**

www.acclock.com

Pemko Hinges consists of two full-height, paired and geared leaves. Each geared leaf rotates evenly from top to bottom riding on bearings. The geared leaves and bearings are held together by a full-length channel cap. This assembly retains the smooth, clean lines of the door and frame, while easily supporting heavy vertical loads. HD3 hinges are Grade 3 Heavy Duty, rated for up to 600 lbs. doors. HD1 hinges are Grade 1 Heavy Duty, up to 600 lbs. doors & 2.5 million door cycles.

**Full Surface Hinge**

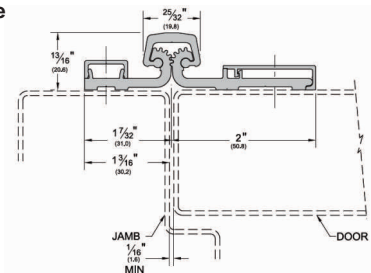
Full-surface units are designed mainly for retrofit work, and are applied to the exposed surface of the door and frame.



Part #	Length	Duty	Finish	Price
<b>PKCFS83</b>	83"	Standard	Aluminum	<b>\$247.00</b>
<b>PKCFS83HD1</b>	83"	Grade 1	Aluminum	<b>\$310.00</b>
<b>PKDFS83</b>	83"	Standard	Dark Bronze	<b>\$320.00</b>
<b>PKDFS83HD1</b>	83"	Grade 1	Dark Bronze	<b>\$398.00</b>
<b>PKCFS95</b>	95"	Standard	Aluminum	<b>\$297.00</b>
<b>PKCFS95HD1</b>	95"	Grade 1	Aluminum	<b>\$370.00</b>
<b>PKDFS95</b>	95"	Standard	Dark Bronze	<b>\$383.00</b>
<b>PKDFS95HD1</b>	95"	Grade 1	Dark Bronze	<b>\$479.00</b>

**Full Surface Hinge Center Pivot**

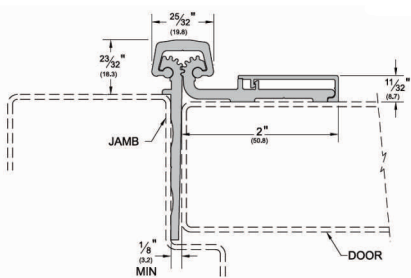
Center pivot units easily replace butt hinges since no door or frame adjustments are necessary. Also, center pivot hinges are more versatile with restricted frame faces.



Part #	Length	Duty	Finish	Price
<b>PKCFS83CP</b>	83"	Standard	Aluminum	<b>\$247.00</b>
<b>PKCFS83CPHD1</b>	83"	Grade 1	Aluminum	<b>\$310.00</b>
<b>PKDFS83CP</b>	83"	Standard	Dark Bronze	<b>\$320.00</b>
<b>PKDFS83CPHD1</b>	83"	Grade 1	Dark Bronze	<b>\$398.00</b>
<b>PKCFS95CP</b>	95"	Standard	Aluminum	<b>\$297.00</b>
<b>PKCFS95CPHD1</b>	95"	Grade 1	Aluminum	<b>\$370.00</b>
<b>PKDFS95CP</b>	95"	Standard	Dark Bronze	<b>\$383.00</b>
<b>PKDFS95CPHD1</b>	95"	Grade 1	Dark Bronze	<b>\$479.00</b>

**Half Surface Hinge**

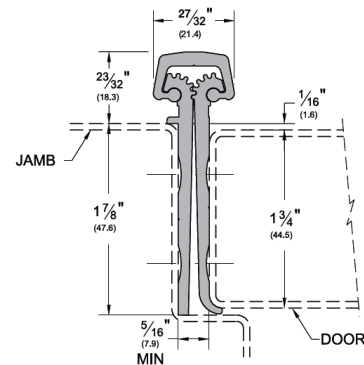
Half-surface units are designed mainly for retrofit work, and are applied to the exposed surface of the door and the frame rabbet.



Part #	Length	Duty	Finish	Price
<b>PKCHS83</b>	83"	Standard	Aluminum	<b>\$247.00</b>
<b>PKCHS83HD1</b>	83"	Grade 1	Aluminum	<b>\$310.00</b>
<b>PKDHS83</b>	83"	Standard	Dark Bronze	<b>\$320.00</b>
<b>PKDHS83HD1</b>	83"	Grade 1	Dark Bronze	<b>\$398.00</b>
<b>PKCHS95</b>	95"	Standard	Aluminum	<b>\$297.00</b>
<b>PKCHS95HD1</b>	95"	Grade 1	Aluminum	<b>\$370.00</b>
<b>PKDHS95</b>	95"	Standard	Dark Bronze	<b>\$383.00</b>
<b>PKDHS95HD1</b>	95"	Grade 1	Dark Bronze	<b>\$479.00</b>

**Full Mortise Hinge**

Full-mortise hinges are designed mainly for new door applications, and are applied so as to conceal both leaves.



Part #	Length	Duty	Finish	Price
<b>PKCFM83</b>	83"	Standard	Aluminum	<b>\$168.00</b>
<b>PKCFM83-HD1</b>	83"	Grade 1	Aluminum	<b>\$207.00</b>
<b>PKDFM83</b>	83"	Standard	Dark Bronze	<b>\$218.00</b>
<b>PKDFM83-HD1</b>	83"	Grade 1	Dark Bronze	<b>\$268.00</b>
<b>PKCFM95</b>	95"	Standard	Aluminum	<b>\$202.00</b>
<b>PKCFM95-HD1</b>	95"	Grade 1	Aluminum	<b>\$247.00</b>
<b>PKDFM95</b>	95"	Standard	Dark Bronze	<b>\$261.00</b>
<b>PKDFM95-HD1</b>	95"	Grade 1	Dark Bronze	<b>\$321.00</b>