

Storefront Exit Devices

10 Series Crossbar Exit Device

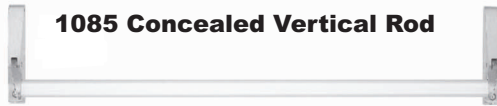
Jackson's 10 Series Crossbar Exit Device is universally recognized as the tough and reliable, industry standard, designed for use with narrow, medium and wide stile doors and is available in both a rim and concealed vertical rod version.



Dual Dogging Feature: by outside cylinder, or by dogging pins beneath housing

Materials & Finish —
 Body & Arms: High Strength Aluminum
 Cross Bar: Extruded Aluminum
 Mechanical Components: Stainless & Plated Steel
 Top & Bottom Bolts: Plated Steel

Rim Latch: Sintered Steel
Strikes: Sintered Steel
Standard Anodized Finish: Dark Bronze-DBZ 313
 Satin Aluminum-US28/ 628



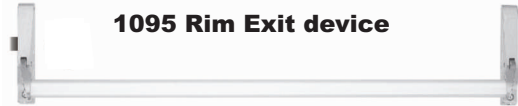
1085 Concealed Vertical Rod

Requires JA30-821J Cyl. Mounting plate with mort. cyl for keyed entry

1-3/4" narrow, medium, & wide stile aluminum doors independent top and bottom bolt action 1/2" bolt throw trigger action, positive release adjustable bolt guides allows bolt adj. w/ door installed crossbar mounting height 36-1/2" from bottom of door.
 Standard door height is 7'

12" Extension Rod- JA30-1347

Part #	Handing	628	313
JA31-1085-4-7	Non- Handed	\$289.90	\$289.90



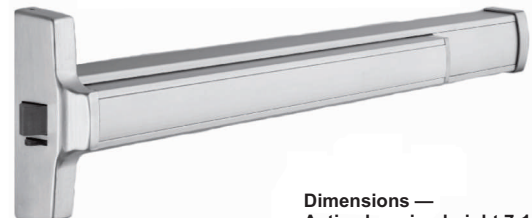
1095 Rim Exit device

For aluminum, or hollow metal doors device is handed, not reversible accepts standard rim cylinder
 Field Selectable Operation Functions:
 -Standard (key removed in unlocked position)
 -Optional night latch function
 -Optional (key removed in locked position only)

Part #	Handing	628, 313
JA31-1095-R-C-4	Right Hand Reverse	\$369.05
JA31-1095-L-C-4	Left Hand Reverse	

20 Series Exit Device

Jackson's 20 Series Exit Device is reliable, durable and ruggedly handsome. available in both a rim and concealed vertical rod device, it is build to withstand the rigors of today's world and provide years of smooth, reliable operation. Each part is manufactured from the highest quality materials which are hand fitted and adjusted for a smooth, whisper quiet operation. This attention to detail makes the Jackson 20 series exit device one of the most reliable, longest lasting devices available today.



Dimensions —
 Active housing height 7-1/4"
 Active housing width 1-1/4"
 Base extrusion height 2-7/8"
 Base extrusion width 1-3/4"
 Base extrusion length Specify
 Touch pad Length 23-1/2"
 Overall Projection 3"

- Available for use with standard 1-3/4" (44.5 MM)
- Concealed vertical rod models use No. 30-821J Cylinder mounting pad for use with standard mortise cylinder for keyed entry.
- Concealed easy to use dogging system.
- "Soft Touch" smooth action push pad.
- Durable external and internal components for long lasting, dependable service.
- Quick and simple installation.

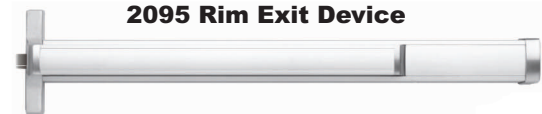


2085 Concealed Vertical Rod

1-3/4" Narrow, Medium, & Wide Stile Aluminum Doors independent top and bottom bolt action 1/2" bolt throw mounting height 38" from bottom of door

628, or 313

Part #	Handing	3'	4'
JA31-2085-R-C	Right Hand Reverse	\$780.00	\$917.00
JA31-2085-L-C	Left Hand Reverse	\$780.00	\$917.00



2095 Rim Exit Device

For Aluminum, Or Hollow Metal Doors accepts standard rim cylinder 3/4" throw deadlocking latch bolt

628, or 313

Part #	Handing	3'	4'
JA31-2095-R-C	Right Hand Reverse	\$839.00	\$866.00
JA31-2095-L-C	Left Hand Reverse	\$839.00	\$866.00



20-330 Series Overhead Concealed Closers

The Jackson 20-330 Series Overhead Concealed Closer has been the leader in the industry for over 35 years. The closer is manufactured in the U.S.A. under strict iso 9000 guidelines and is designed to give long lasting, maintenance free performance. This closer is truly universal. One basic closer mechanism allows for single or double acting, center-hung or offset applications and is non-handed. Suitable for both interior and exterior installations, it provides complete door control in a compact and concealed design when other types of closers are not practical. Available in either 4 fixed sizes or adjustable spring power, making this the ideal closer for aluminum, wood or hollow metal doors and frames.

- Dual Valve Control - Both closing and latching speeds are independently adjustable.
- Four fixed spring sizes - XLD = extra light duty, LD = light duty, RD = regular duty, HD = heavy duty.
- Adjustable spring power - size XLD (2) thru rd (4). this allows you to set an opening force which will meet barrier-free requirements for both interior and exterior doors in one closer.
- 90° or 105° swing, hold or non-hold open.
- Backcheck - cushion back-stop provides cushion stop to protect both the closer and opening from damage.

How to Order:
JA20-101M-XX



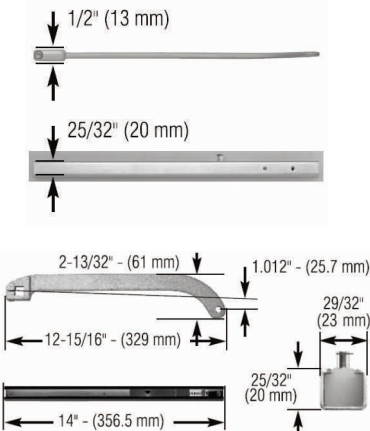
Center Hung
ANSI Grade 1
Standard 1/2" Spindle
(Other spindle sizes available for special order, ask customer service for information)

Part Packages

JA20-900-LC \$86.29

Application: Mortise Type
7/8" (22mm) Deep Rail

Contents:
No. 20-942 Offset Arm
No. 20-368 Slide Channel Assembly
No. 20-951 Closer Mounting Brackets
No. 20-385 Channel Mounting Pkg

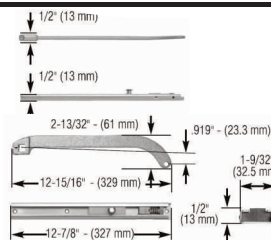


Part #		Swing	Function	Strength	Price
JA20-101M-01	01=	105 Degree	NH (Non-Hold Open)	RD (Regular Duty)	\$270.92
JA20-101M-02	02=	105 Degree	HO (Hold Open)	RD (Regular Duty)	
JA20-101M-03	03=	90 Degree	NH (Non-Hold Open)	RD (Regular Duty)	
JA20-101M-04	04=	90 Degree	HO (Hold Open)	RD (Regular Duty)	\$191.68
JA20-101M-05	05=	105 Degree	NH (Non-Hold Open)	LD (Light Duty)	
JA20-101M-06	06=	105 Degree	HO (Hold Open)	LD (Light Duty)	
JA20-101M-07	07=	90 Degree	NH (Non-Hold Open)	LD (Light Duty)	\$274.40
JA20-101M-08	08=	90 Degree	HO (Hold Open)	LD (Light Duty)	
JA20-101M-09	09=	105 Degree	NH (Non-Hold Open)	HD (Heavy Duty)	
JA20-101M-10	10=	105 Degree	HO (Hold Open)	HD (Heavy Duty)	\$191.68
JA20-101M-11	11=	90 Degree	NH (Non-Hold Open)	HD (Heavy Duty)	
JA20-101M-12	12=	90 Degree	HO (Hold Open)	HD (Heavy Duty)	
JA20-101M-13	13=	105 Degree	NH (Non-Hold Open)	XLD (Extra Light Duty)	\$218.81
JA20-101M-14	14=	105 Degree	HO (Hold Open)	XLD (Extra Light Duty)	
JA20-101M-15	15=	90 Degree	NH (Non-Hold Open)	XLD (Extra Light Duty)	
JA20-101M-16	16=	90 Degree	HO (Hold Open)	XLD (Extra Light Duty)	\$218.81
JA20-101M-17	17=	105 Degree	NH (Non-Hold Open)	ADJ (Adjustable)	
JA20-101M-18	18=	105 Degree	HO (Hold Open)	ADJ (Adjustable)	
JA20-101M-19	19=	90 Degree	NH (Non-Hold Open)	ADJ (Adjustable)	\$218.81
JA20-101M-20	20=	90 Degree	HO (Hold Open)	ADJ (Adjustable)	

JA20-1134-LC \$133.15

Application: Surface Mounted
5/8" (16mm) Deep Rail

Contents:
No. 20-1133 Offset Arm
No. 20-1129 Slide Channel Assembly
No. 20-1375 Closer Mounting Brackets
No. 20-1305 Channel Mounting Pkg.



JA20-1312-LC \$133.15

Application: Surface Mounted
5/8" (16mm) Deep Rail

Contents:
No. 20-1149 Offset Arm
No. 20-1129 Slide Channel Assembly
No. 20-1178 Closer Mounting Brackets
No. 20-1305 Channel Mounting Pkg.

