

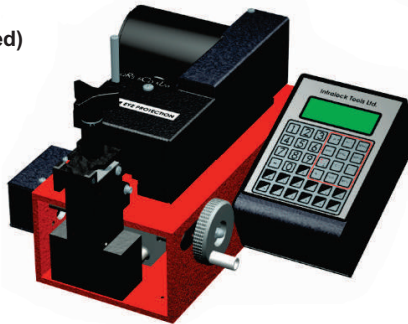
ITL 950

The Most Cost Effective Code Machine Ever

- Both 12 Volt and 120 Volt usage
- Repeatable accuracy (+/-) .002"
- Communication port
- Over 600 manufacturers' depths and spaces built in
- 99 custom tables for new depths and spaces
- 1 year parts and labor warranty (cutter not included)
- One cutter does all (w/minor exceptions)

Preloaded with automotive codes

- Keymark® ready
- Normal mode - laser cut mode - half cut mode
- Medeco/Emhart™ head and program included
- Inserts for double-sided automotive keys
- Magnetic insert caddy



ITL950M **\$6,190.00**

w/ HSS M42 cutter

ITL950MCA **\$6,790.00**

w/ carbide cutter

ITL950CM **\$6,790.00**

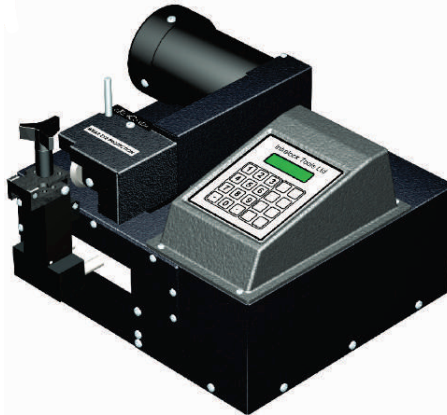
w/ HSS M42 cutter

ITL950CMCA **\$7,390.00**

w/ carbide cutter

ITL 9000 Industry Leader Since 1985

- Super bearing construction
- Repeatable accuracy (+/-) .001"
- Communication port
- Over 600 manufacturers' depths & spaces built in
- 99 custom tables for new depths & spaces
- 1 year parts and labor warranty (cutter not included)
- Cuts standard, Keymark® and Bi-Axial Medeco™
- One cutter emulates all flat widths



ITL9000 **\$9,990.00**

w/ HSS M42 cutter

ITL9000CA **\$10,590.00**

w/ carbide cutter

ITL 9700 The Industrial Code Machine

- Recirculating bearings
- Superior rigidity and repeatable accuracy
- Supplied with carbide cutter
- 3 year parts and labor warranty (cutter not included)
- Communication port
- Over 600 depths and spaces Built in
- 99 custom tables for new depths and spaces
- Compatible with majority of Commercially available software



Typical Cut Rates:

Laser Mode	8 Seconds
High Speed	9 Seconds
Standard Mode	15 Seconds
Bi-Axial 6 Pin	16 Seconds

ITL9700A **\$14,990.00**

w/ carbide cutter
& auto rotate head

Electronic Safe Dialer

Quick and easy set up.

No supervision required. Once in place, it runs until safe lock opens.

Average opening time is 6 hours

Non-invasive. Safes remain intact and costly repairs are avoided

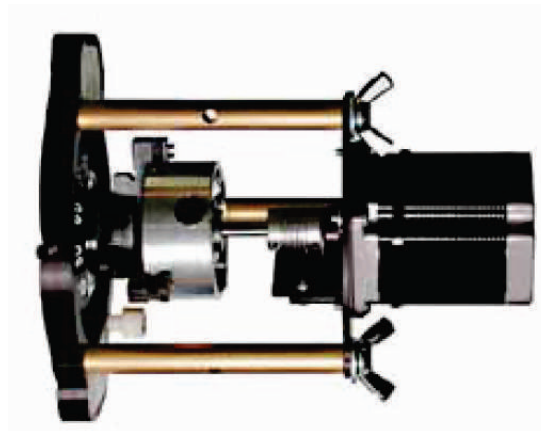
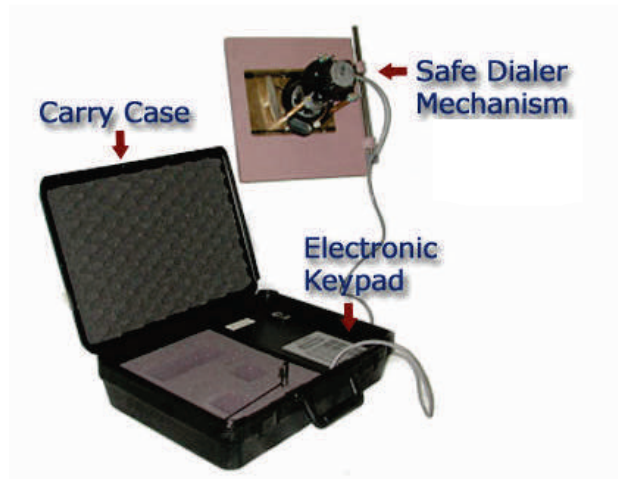
4 Dialing speeds for loose wheels wheels can be dialed: to every possible safe lock combination or through a specific range of numbers

Dialer mount attached by strong rare earth magnets

Reversible jaws grip most dials

Specifications

- Comes with compact carrying case
- Dimensions: 18" X 13.5" X 5.5" (LxWxH)
- Weighs approximately 15lbs
- Can be set to run on 110 or 220 AC
- 1 year warranty on parts and labor



ITL2000

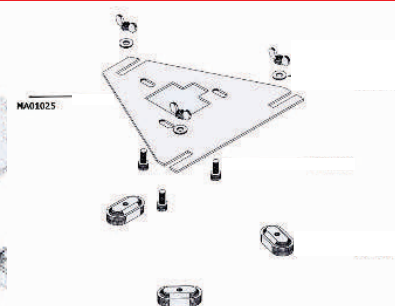
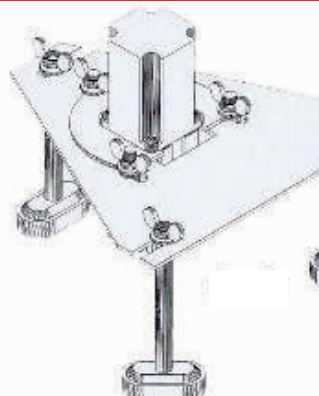
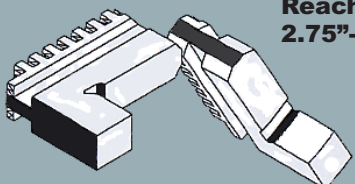
\$4,200.00

Optional Parts

**Jaw Set
Gripper
MA01021**



For Dial
Reaches
2.75"-3"



**Motor Mount Kit
ITLMA20006**