



A

Accredited Lock Supply Co.

www.accllock.com



CYLINDRICAL LOCKSET- 1K



Tactile Keypad

Featuring "The Clutch"

Cylindrical Lockset Specification:

- i-Que Housing:** Heavy duty solid die cast zinc
- Door Thickness:** 1 5/8" to 1 7/8"
1 3/8" optional
- Door Prep:** ANSI 115.18 plus 3/4" hole
- Key Override:** Marks 'C' 6 pin 2 keys or IC core optional
- Lock Body:** Grade 1 cylindrical 'Survivor'
- Latch:** Grade 1, 3 hour UL fire rating reversible with 9/16" throw
- Backset:** 2 3/4" std. 2 3/8", 3 3/4", 5" opt.
- Strike:** 4 7/8" std.
- Handing:** Non-handed

MHIQ1K/26D	Satin Chrome	Marks 'C'	750.00
MHIQ1K/26D-G1	Satin Chrome	IC Core	750.00

MORTISE LOCKSET - 2K



Tactile Keypad

Featuring "The Clutch"

Mortise Lockset Specification:

- i-Que Housing:** Heavy duty solid die cast zinc
- Door Thickness:** 1 3/4" to 2 1/4" std;
EK1038 spacer kit optional for doors less than 1 3/4" thick.
- Key Override:** 1 1/8" mortise cylinder, Marks 'C' 6 pin 2 keys or IC core optional Medeco High Security cyl opt.
- Lock Body:** Grade 1, Series 5 entry function (ANSI F07), 3 hr. UL fire rating
- Latch:** 3/4" anti-friction throw
- Backset:** 2 3/4" std. 2 1/2" opt.
- Strike:** 4 7/8" std.
- Bolt Throw:** 1" with optional function
- Handing:** Field reversible

MHIQ2K/26D	Satin Chrome	Marks 'C'	1025.00
MHIQ2K/26D-G1	Satin Chrome	IC Core	1025.00

EXIT DEVICE INTERFACE - 7K



Tactile Keypad

Featuring "The Clutch"

Mortise Lockset Specification:

- Door Thickness:** 1 3/4" to 2 1/4" std;
EK1038 spacer kit optional for doors less than 1 3/4" thick.
- Key Override:** 1 1/8" mortise cylinder, Marks 'C' 6 pin 2 keys or IC core optional
- Lock Body:** Grade 1, Series tubular lock
- Strike:** 4 5/8" ASA std.
- Handing:** Non-handed

MHIQ7K/26D	Satin Chrome	Marks 'C'	913.00
MHIQ7K/26D-G1	Satin Chrome	IC Core	913.00

Optional Adaptor Plates:

EA7071	Von Duprin 99	59.00
EA7072	Precision 1100	59.00
EA7073	Yale 7100, Corbin ED5200	59.00
EA7074	Dorma 9300	59.00
EA7075	Sargent 8800, Arrow 3800	59.00



**NO NONSENSE
ACCESS
CONTROL RIGHT
OUT OF THE
BOX!**

Installation

- CableGuard™ Protects Wires for Easy Installation
- Standard ANSI Door Prep With One Additional Hole

Programming

- Pre-Programmed Code
- Keypad Programmable

Features

- 160 User Codes
- Temporary User Codes
- Passage Mode
- Multiple Entry Codes
- Pin Only Mode
- Tactile Metal Keypad
- Durable Black Powder Coat Finish
- 26D American Lever
- Weatherproof Standard
- Audible Low Battery Alert
- Lifetime Mechanical & Electronic Warranty

- Housing:** Heavy duty solid die cast housing
- Door Thickness:** 1-3/4" standard
- Handing:** Non-handed
- Key Override:** Marks "C", 6 pin 2 keys or IC core optional

- Lock Body:** Cylindrical "Survivor" featuring the "Clutch"
- Latch:** Grade 2, 3 hour UL fire rating with 1/2" throw 2-3/4" backset
- Strike Plate:** 2-3/4" "T" strike

P/N - Price	Finish	Keyway
MHIQ1K/ME-26D-T 550.00	Satin Chrome	Marks "C"
MHIQ1K/ME-T 483.00	Black Powder Coat	Marks "C"
MHIQ1K/ME-26D-T-G1 550.00	Satin Chrome	IC Prep
MHIQ1K/ME-T-G1 483.00	Black Powder Coat	IC Prep

I-DAT MARK 2

- No software to install, just use the memory stick
- 4 line LCD
- Built in menus
- Easy to read audit trail



MHEA6200 I-DAT USB unit 841.00



"DEFENDER" TUBULAR DEADBOLT



- **Bolt:** 1" throw
- Unitized assemblies for 2 1/8" bore
- **Strike:** #1335, 2 3/4" x 1 1/8" strike
- **Door thickness:** 1 5/8" - 1 7/8"
- **Cylinder:** MARKS "C" keyway, 6 pin w/2 keys
- **Backset:** 2 3/8" or 2 3/4", specify
- **Latch:** 1" x 2 1/4" front

P/N	Function	Backset	Finish	Price
MH130K/3	Single Cyl	2 3/8"	Polished Brass	129.00
MH130K/32D	Single Cyl	2 3/8"	Satin Stainless	129.00
MH130M/3	Double Cyl	2 3/8"	Polished Brass	148.00
MH130M/32D	Double Cyl	2 3/8"	Satin Stainless	148.00

"DEFENDER" CYLINDRICAL CARTRIDGE DEADLATCH



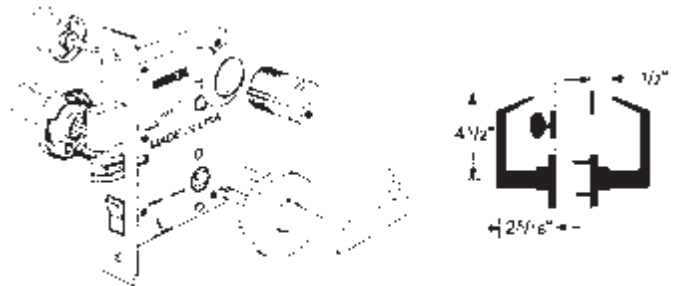
- **Latch:** Grade 1, Series 1 cylindrical cartridge, 9/16" throw
- Unitized assemblies for 2 1/8" bore
- **Strike:** #1136, 2 3/4"
- **Door thickness:** 1 3/8" - 2 3/8"
- **Cylinder:** MARKS "C" keyway, 6 pin w/2 keys
- **Backset:** 2 3/4"
- **Latch:** 1 1/8" x 2 1/4" front

P/N	Function	Backset	Finish	Price
MH145K/32D	Single Cyl	2 3/4"	Satin Stainless	166.00
MH145RK/32D	SFIC* Single	2 3/4"	Satin Stainless	166.00
MH145M/3	Double Cyl	2 3/4"	Polished Brass	179.00
MH145RM/3	SFIC* Double	2 3/4"	Polished Brass	179.00
MH145M/32D	Double Cyl	2 3/4"	Satin Stainless	179.00
MH145RM/32D	SFIC* Double	2 3/4"	Satin Stainless	179.00

* IC core not included

LEVER MORTISE ENTRANCE LOCKSETS

AMERICAN TRIM DESIGN - Grade 2



12 Pcs Case

- Thru-Bolted Lever/Rose Assembly
- Steel Reinforced Brass Roses, 2-9/16" dia. x 3/8"
- Solid Forged Brass, Screwless Levers
- Independent, Spring Loaded 5/16" Spindles
- Solid Bar Stock, Brass Cylinders, 6 pin
- Reversible Mortise Lock With Lever Support Springs

MH9RW92A-US3E	Lifetime Polished Brass	437.00
MH9RW92A-US26D	Satin Chrome	417.00

NARROW BACKSET MORTISE LOCKSET



12 Pcs Case

P/N	Function	Finish	Price
MH2750B-US3	Entrance	Polished Brass	165.00
MH2750B-US26D	Entrance	Satin Chrome	185.00
MH2750C-US3	Entrance-Dbl Cyl	Polished Brass	165.00
MH2750C-US26D	Entrance-Dbl Cyl	Satin Chrome	185.00



F

Accredited Lock Supply Co.

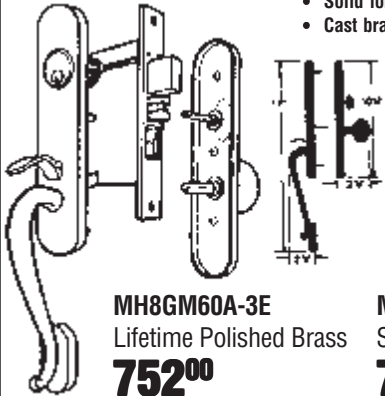
www.accllock.com

HANDLE MORTISE ENTRANCE LOCKSETS

Backset: 2 1/2" Front Size: 1 1/16" x 7 5/8". Packed 6 per case.

GRAND MADISON

- THRU-BOLTED, self-aligning, cast brass trim assemblies cast brass trim assemblies.
- Solid forged brass handle
- Cast brass Eclipse knob, 2 1/2" oval



LOCKSET INCLUDES

1. Exterior handle/plate assembly, 17" x 2 1/8" x 3/8".
2. Interior plate/knob assembly, 10 1/2" x 2 1/8" x 3/8".
3. 6 pin cylinder(s), solid brass.
4. Spring-loaded spindle.
5. Mortise lock, reversible.
6. Standard ASA strike.
7. Complete screw package.

MH8GM60A-3E
Lifetime Polished Brass
752⁰⁰

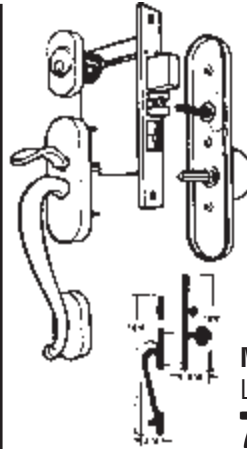
MH8GM60A-15
Satin Nickel
752⁰⁰

MADISON

- THRU-BOLTED, self-aligning, cast brass trim assemblies
- Solid forged brass handle
- Cast brass Eclipse oval knob, 2 1/2" oval

LOCKSET INCLUDES:

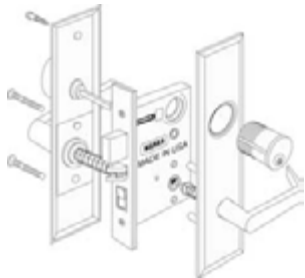
1. Exterior handle/plate assembly, 15 1/2" x 2 1/8" x 3/8".
2. Interior plate/knob assembly, 10 1/2" x 2 1/8" x 3/8".
3. 6 pin cylinder(s) solid brass.
4. Spring-loaded spindle.
5. Mortise lock, reversible.
6. Standard ASA strike.
7. Complete screw package.



MH8MA60A-3E
Lifetime Polished Brass
752⁰⁰

MH8MA60A-15
Satin Nickel
752⁰⁰

NEW YORKER W/AMERICAN LEVER

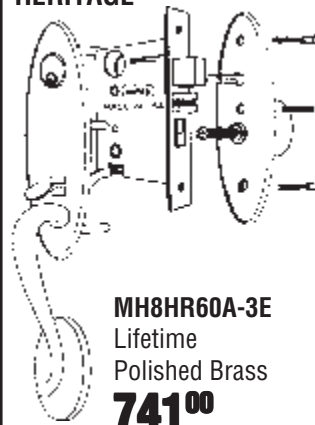


- Thru-bolted screwless knob/lever plate assemblies
- Interior plate 7" x 2 1/4"
- Independent spring loaded captivated spindles
- Reversible mortise lock 2 3/4" backset
- Lever support springs
- Lock front Series 7: 1 1/4" x 8"
- Cylinder: Marks 'C' keyway, 6 pin w/2 keys

MH7NY92A-3
Polished Brass
357⁰⁰

MH7NY92A-26D
Satin Chrome
387⁰⁰

HERITAGE



LOCKSET INCLUDES:

1. Exterior handle/plate assembly, 17 5/8" x 2 7/8"
2. Interior plate/knob assembly, 10" x 2 7/8". Eclipse knob.
3. 6 pin cylinder(s) solid brass.
4. Spring-loaded spindle.
5. Mortise lock, reversible.
6. Standard ASA strike.
7. Complete screw package.

MH8HR60A-3E
Lifetime Polished Brass
741⁰⁰

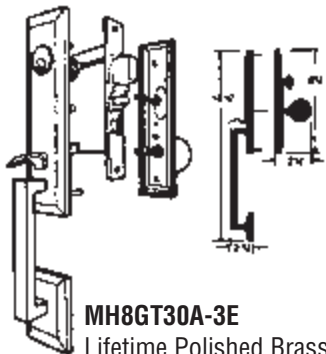


- THRU-BOLTED, self-aligning, cast brass trim assemblies
- Solid forged brass handle
- Cast brass Eclipse knob, 2 1/2" oval

MH8HR60A-15
Satin Nickel
741⁰⁰

GRANDE TOWNE

- THRU-BOLTED, self-aligning, cast brass trim assemblies
- Solid forged brass handle
- Cast brass ball knob



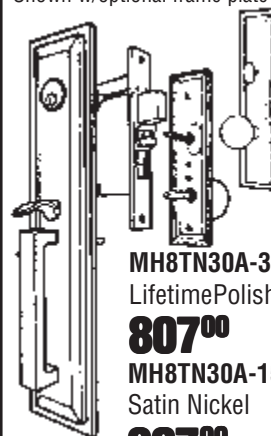
LOCKSET INCLUDES:

1. Exterior handle/plate assembly, 16 3/4" x 2 1/4" x 3/8".
2. Interior plate/knob assembly, 9 1/4" x 2 1/4" x 3/8", with turnpiece.
3. 6 pin cylinder(s), solid brass.
4. Spring-loaded spindle.
5. Mortise lock, reversible.
6. Standard ASA strike.
7. Complete screw package.

MH8GT30A-3E
Lifetime Polished Brass
807⁰⁰

MH8GT30A-15
Satin Nickel
807⁰⁰

Shown w/optional frame plate



MH8TN30A-3E
Lifetime Polished Brass
807⁰⁰
MH8TN30A-15
Satin Nickel
807⁰⁰



TOWNE

- THRU-BOLTED, self-aligning, cast brass trim assemblies
- Solid forged brass handle
- Cast brass ball knob

LOCKSET INCLUDES:

1. Exterior handle/plate assembly, 16" 3/8" x 2 1/4" x 3/8".
2. Interior plate/knob assembly, 9 1/4" x 2 1/4" x 3/8".
3. 6 pin cylinder(s) solid brass.
4. Spring-loaded spindle.
5. Mortise lock, reversible.
6. Standard ASA strike.
7. Complete screw package.

• ENTRANCE LOCKSETS
• Handle Mortise

HANDLE MORTISE ENTRANCE LOCKSETS

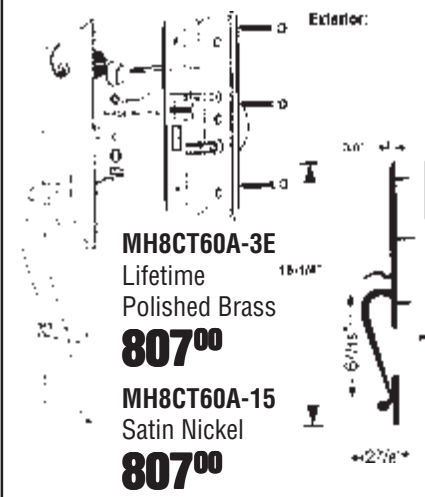
Backset: 2 1/2" Front Size: 1 1/16" x 7 5/8". Packed 6 per case.

CLAREMONT

- THRU-BOLTED handle assembly
- Solid brass trim

LOCKSET INCLUDES:

1. Solid brass handle assy.
2. Matching cylinder collar.
3. 6 pin cylinder(s), solid brass.
4. Interior: Eclipse oval knob 2 1/2 x 1 1/2" oval
5. Turnpiece assembly.
6. Spring-loaded 9/32" spindle.
7. Mortise lock, reversible.
8. Standard ASA strike.
9. Complete screw package.



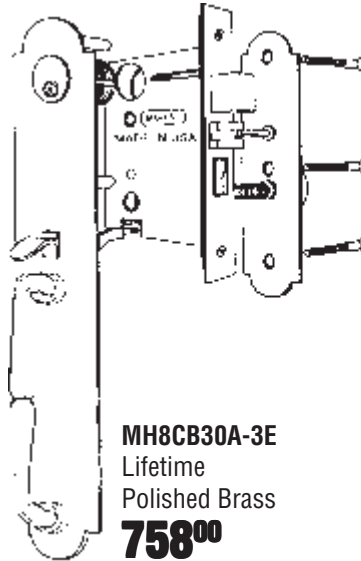
MH8CT60A-3E
Lifetime
Polished Brass
807⁰⁰

MH8CT60A-15
Satin Nickel
807⁰⁰

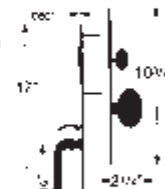
CAMBRIDGE

LOCKSET INCLUDES:

1. Exterior handle/plate assembly 17" x 2 3/4".
2. Interior plate 10 1/2" x 2 3/4".
3. 6 pin cylinder(s). Solid brass.
4. Interior steel reinforced round knob, 2 1/4" dia.
5. Spring loaded 9/32" spindle.
6. Mortise lock, reversible.
7. Standard ASA strike.
8. Complete screw package.



MH8CB30A-3E
Lifetime
Polished Brass
758⁰⁰

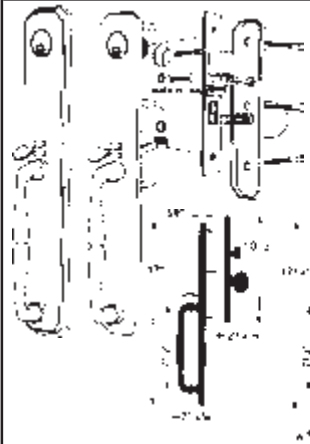


MH8CB30A-15
Satin Nickel
758⁰⁰

ROYALE

LOCKSET INCLUDES:

1. Exterior handle/plate assembly with thru bolts.
2. Interior knob/plate thru bolted with screwless knob.
3. 6 pin cylinder. Solid brass. "C"
4. Interior Ball knob.
5. Lever support springs.
6. Mortise lock, reversible.



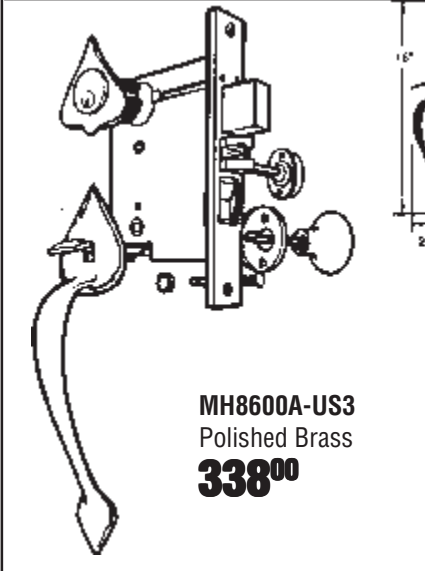
MH8RY30A/3E
Lifetime
Polished Brass
918⁰⁰

MH8RY30A/15
Satin Nickel
918⁰⁰

THRU-BOLTED

CENTURY

- Solid brass trim



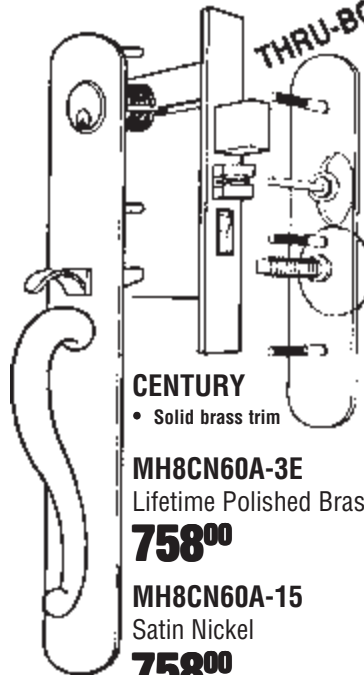
MH8600A-US3
Polished Brass
338⁰⁰

GEORGIAN

- THRU-BOLTED handle assembly
- Solid brass trim

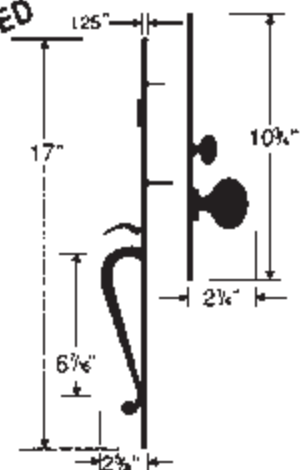
LOCKSET INCLUDES:

1. Solid brass handle assembly.
2. Matching cylinder collar.
3. 6 pin cylinder(s), solid brass.
4. Interior: round knob, 2 1/4" dia. rose, 2 9/16" dia.
5. Turnpiece assembly.
6. Two piece hook spindle.
7. Mortise lock, reversible.
8. Standard ASA strike.
9. Complete screw package.



MH8CN60A-3E
Lifetime Polished Brass
758⁰⁰

MH8CN60A-15
Satin Nickel
758⁰⁰



LOCKSET INCLUDES:

1. Exterior handle/plate assembly 17" x 2 1/4" x .080".
2. Interior plate 10 1/2" x 2 1/8" x .080".
3. 6 pin cylinder(s). Solid brass.
4. Interior Eclipse knob, 2 1/4" dia.
5. Two piece hook spindle.
6. Mortise lock, reversible.
7. Standard ASA strike.
8. Complete screw package.



KNOB/PLATE MORTISE ENTRANCE LOCKSETS

91A METRO

METRO Mortise Entrance Lockset

- Surface mounted escutcheon plates
- Screw on knobs with swivel spindle
- Polished Brass - US3
- 2 1/2" Backset

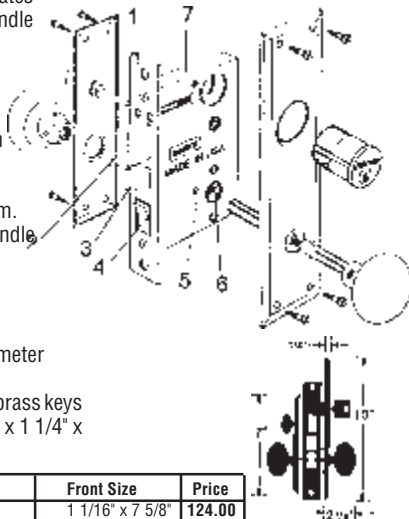
Exterior Trim Assembly:

- Steel reinforced brass plate with cylinder recess
- 10"H x 2 3/4"W
- Wrought brass knob, 2 1/4" diam.
- Two piece 9/32" steel swivel spindle

Interior Trim Assembly:

- Steel reinforced plate
- 7"H x 2 1/4"W
- Wrought brass knob, 2 1/4" diameter

- Cylinder: 5 pin, 1/18" long with 2 brass keys
- Strike: ANSI spec A115.1, 4 7/8" x 1 1/4" x 3/32" thick, 5/8" curved lip



Code	Function	Front Size	Price
MH91A-US3	Entrance	1 1/16" x 7 5/8"	124.00
MH91A-US3-X	Entrance	1 1/4" x 8"	145.00
MH91A-26D-X	Entrance	1 1/4" x 8"	156.70
MH91D-US3	Office/Vestibule	1 1/16" x 7 5/8"	124.00
MH91DW-US3	Vestibule	1 1/16" x 7 5/8"	124.00
MH91DW-26D	Vestibule	1 1/16" x 7 5/8"	135.00

114 SERIES METRO ENTRANCE MORTISE LOCKSET

- Thru-bolted knob/plate assemblies.
- Exterior Trim Assembly
- Steel reinforced brass plate w/cylinder recess. 10" x 2-3/4", polished brass finish (US 3)
- Wrought brass screwless knob 2-1/4" diameter w/ integral spring-loaded 9/32" spindle.
- Two thru-posts pass through lock body
- Interior Trim Assembly
- Steel reinforced plate, 7 x 2-1/4" plate polished brass finish
- Wrought brass screwless knob, 2-1/4" diameter w/integral spring-loaded 9/32" spindle.
- Mounting bolts (#8-32) engage thru-posts of exterior trim assembly.
- Cylinder 5 pin cylinder(s), 1-1/8" long, with 2 keys
- Strike 4-7/8" x 1-1/4" x 3/32" thick, 5/8" curved lip
- Conforms to ANSI spec A115.1

Lock Specifications

9 Series Lock Body (2- 1/2" backset)

1. Lock Front 7-5/8" x 1-1/16", .187" thick
Optional Front 8" x 1-1/4" steel backplate with brass cover plate
2. Deadbolt Cast 1" throw, steel reinforced
3. Latch Solid brass, 1/2" throw, reversible
4. Rocker Switch Locks or unlocks exterior knob
5. Hub Lock Arm Steel, .125" thick
6. Hubs 9/32" (7.2 mm) on square with steel security separator
7. Case High pressure cast Zamac, baked enamel finish

MH114A/3	Entrance	124.00
MH114A/26D	Entrance	135.00
MH114DW/3	Vestibule	124.00
MH114DW/26D	Vestibule	135.00

NEW YORKER

- Solid brass trim
- Steel reinforced heavy duty round knobs, 2 1/4" dia.
- Thru-Bolted knob/plate assemblies



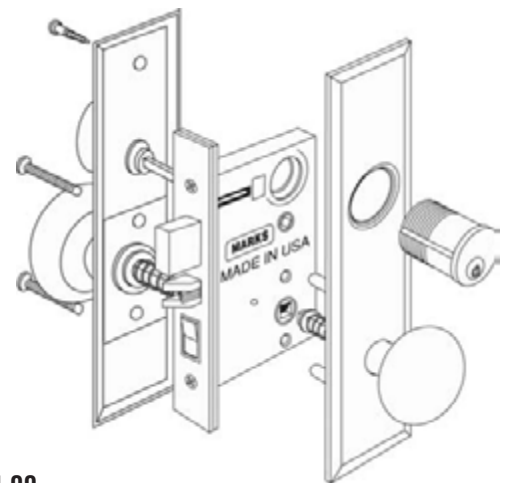
Knobs:
Brass or stainless steel steel reinforced, 2-1/4" dia round
Plates:
Wrought brass or stainless steel: exterior 10" x 2 3/4"
Wrought brass steel or stainless steel: interior 7" x 2 1/4"

Packed 12 per case

Code	Finish	Backset	Front Size	Price
MH5NY10A-US3	Polished Brass	2 3/4" U.L.	1 1/4" x 8"	313.00

MH7NY10A-US26D	Satin Chrome	2 3/4"	1 1/4" x 8"	313.00
MH7NY10A-US3	Polished Brass	2 3/4"	1 1/4" x 8"	283.00
MH7NY10D-US3	Polished Brass	2 3/4"	1 1/4" x 8"	270.00
MH7NY10D-US26D	Satin Chrome	2 3/4"	1 1/4" x 8"	300.00
MH7NY10DW-US3	Polished Brass	2 3/4"	1 1/4" x 8"	270.00
MH7NY10DW-US26D	Satin Chrome	2 3/4"	1 1/4" x 8"	300.00

MH9NY10A-US26D	Satin Chrome	2 1/2"	1 1/16" x 7 5/8"	313.00
MH9NY10A-US3	Polished Brass	2 1/2"	1 1/16" x 7 5/8"	283.00
MH9NY10A-US3/X	Polished Brass	2 1/2"	1 1/4" x 8"	291.00
MH9NY10A-US3/Z	Polished Brass	2 1/2"	1" x 8"	291.00
MH9NY10D-US3	Polished Brass	2 1/2"	1 1/16" x 7 5/8"	270.00
MH9NY10D-US3/Z	Polished Brass	2 1/2"	1" x 8"	291.00
MH9NY10DW-US3	Polished Brass	2 1/2"	1 1/16" x 7 5/8"	270.00
MH9NY10N-US3	Polished Brass	2 1/2"	1 1/16" x 7 5/8"	182.00





APOLLO TRIM DESIGN



Knobs:
Brass or stainless steel, steel reinforced
2 1/4" dia. round
Plates:
Steel reinforced brass 7-9 1/8" dia. x 1 1/4"

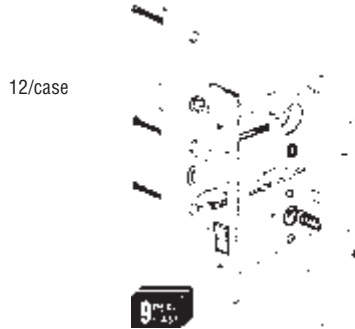
NEW!
HEAVY DUTY
KNOBS



- Thru-Bolted knob/rose assemblies
- Independent, spring loaded 9/32" spindles
- Concealed Mounting Screws
- Solid bar stock, brass cylinders, 6 pin
- Screwless Knobs
- Reversible mortise lock, 2 1/2" backset

MH9RW10A-US3	Entrance	373.00
MH9RW10A-US32D	Entrance	373.00
MHKRW10-US3	Knob/Rose Trim Klt	147.00
MHKRW10-US32D	Knob/Rose Trim Kit	147.00

CAPITOL TRIM DESIGN



Knobs:
Brass or stainless steel
steel reinforced 2 3/8" dia. dia.
Plates:
Solid brass or stainless steel
5-1 1/2" x 2 1/4"

12/case

Standard Features

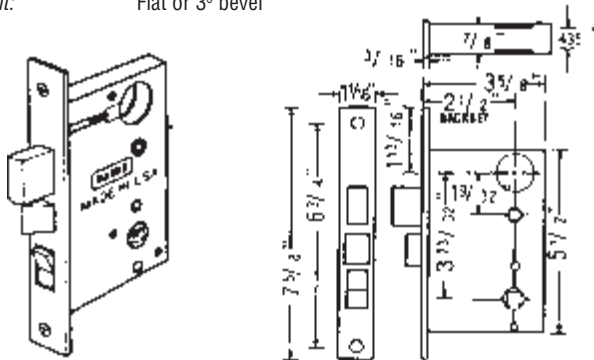
- Thru-bolted screwless knob/lever plate assemblies
- Independent spring loaded captivated spindles
- Reversible mortise lock 2 1/2" or 2 3/4" backset
- Lever support springs
- Lock front: 1 1/4" x 8"
- Dimensions: 8 1/2" H x 2 3/4" W
- Cylinder: Marks "C" keyway, 6 pin w/2 keys

MH9CP20A-32DSatin Stainless Steel **469.00**

8/9 STANDARD SERIES MORTISE LOCK BODIES

Locks Only. Order Strikes Separately. All Locks Reversible.
Cylinder Cam Required. All Functions: 2101 Straight Cam.

- Backset:** 2 1/2"
Standard Front: 1 1/16" x 8"
Bolt Throw: 1"
Latch Throw: 1/2"
Case: High Pressure cast
Hubs: 9/32 on sq. forged brass with security separator
Front: Flat or 3° bevel

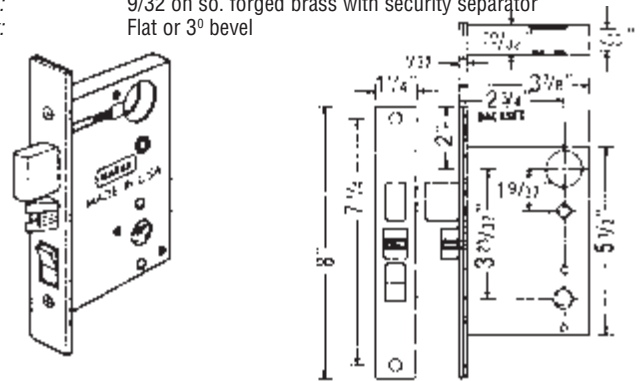


Code	Finish	Function	Price
FOR HANDLES			
MH8A-US3	Polished Brass	Entrance	220.00
MH8F-US3	Polished Brass	Dormitory	220.00
FOR KNOBS AND LEVERS			
MH9A-US3	Polished Brass	Entrance	188.00
MH9DW-US3	Polished Brass	Vestibule	172.00
MH9F-US3	Polished Brass	Dormitory	188.00

6/7 HEAVY DUTY SERIES MORTISE LOCK BODIES

Locks Only. Order Strikes Separately. All Locks Reversible.

- Backset:** 2 3/4"
Standard Front: 1 1/4" x 8"
Bolt Throw: 1"
Latch Throw: 5/8"
Case: High pressure cast
Hubs: 9/32 on so. forged brass with security separator
Front: Flat or 3° bevel



Code	Finish	Function	Price
FOR HANDLESETS			
MH6A-US3	Polished Brass	Entrance	220.00
ML6F-US3	Polished Brass	Dormitory	220.00
FOR KNOBS AND LEVERS			
MH7A-US3	Polished Brass	Entrance	188.00
MH7DW-US3	Polished Brass	Vestibule	172.00
MH7F-US3	Polished Brass	Dormitory	188.00



5 SERIES GRADE 1 MORTISE LOCK BODIES

Locks Only. Order Strikes Separately. All Locks Reversible.

- Backset: 2 3/4"
- Standard Front: 1 1/4" x 8" Adjustable bevel
- Bolt Throw: 1"
- Latch Throw: 3/4" (anti-friction)
- Case: Stamped steel
- Hubs: Steel, 9/32" on diamond
5/16" on square w/security separator

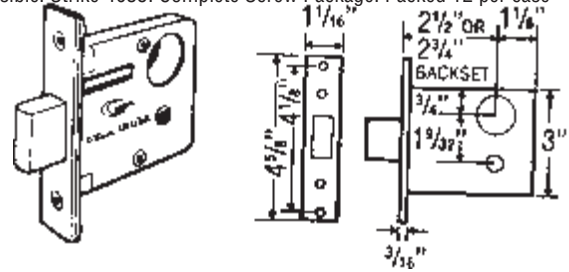


For Knobs and Levers
Electrified Functions Available

Code	Finish	Function	Price
MH5A-US3	Polished Brass	Entrance	230.00
ML5A-US32D	Polished Brass	Entrance	230.00
MH5B-US3	Polished Brass	Entrance	230.00
MH5B-US32D	Polished Brass	Vestibule	230.00
MH5EW-US3	Polished Brass	Dormitory	220.00
MH5EW-US32D	Satin Stainless Steel	Storeroom	220.00
MH5FD-US3-B4	Polished Brass	Apartment	276.00
MH5FD-US32D-B4	Satin Stainless Steel	Apartment	276.00
MH5FW-US3	Polished Brass	Dormitory	230.00
MH5FW-US32D	Satin Stainless Steel	Dormitory	230.00
MH5J-US3	Polished Brass	Classroom	220.00
MH5J-US32D	Satin Stainless Steel	Classroom	220.00

MORTISE DEADLOCKS

1" Bolt Throw. High Pressure Cast Case. Front: 1 1/16" x 4 5/8" plate, can be beveled. Reversible. Strike 4035. Complete Screw Package. Packed 12 per case



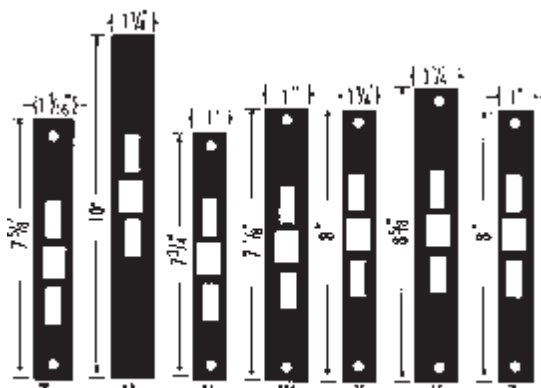
BACKSET: 2 1/2"

Code	Finish	Description	Price
MH2K-US26D	Satin Chrome	Single Cylinder	132.00
MH2K-US3	Polished Brass	Single Cylinder	132.00
MH2M-US26D	Satin Chrome	Double Cylinder	140.00
MH2M-US3	Polished Brass	Double Cylinder	140.00

BACKSET: 2 3/4"

Code	Finish	Description	Price
MH3K-US26D	Satin Chrome	Single Cylinder	132.00
MH3K-US3	Polished Brass	Single Cylinder	132.00
MH3M-US26D	Satin Chrome	Double Cylinder	140.00
MH3M-US3	Polished Brass	Double Cylinder	140.00

OPTIONAL MORTISE LOCK BODY FRONTS



Optional Lock Fronts

For 6 and 7 Series Mortise Bodies

Code	Finish	Dimensions	Price
MHK7004A-26-Z	Polished Chrome	1" x 8"	48.00
MLK7004A-26D-X	Satin Chrome	1 1/4" x 8"	25.00
MHK7004A/3-X	Polished Brass	1 1/4" x 8"	26.00
MHK7004A/3-Z	Polished Brass	1" x 8"	35.00
MHK7004B/3-X	Polished Brass	1 1/4" x 8"	26.00
MHK7004DW/3-X	Polished Brass	1 1/4" x 8"	28.00
MHK7004DW/3-Z	Polished Brass	1" x 8"	33.00
MHK7004DW/32D-X	Satin Stainless Steel	1 1/4" x 8"	28.00
MHK7004DW/32D-Z	Satin Stainless Steel	1" x 8"	33.00

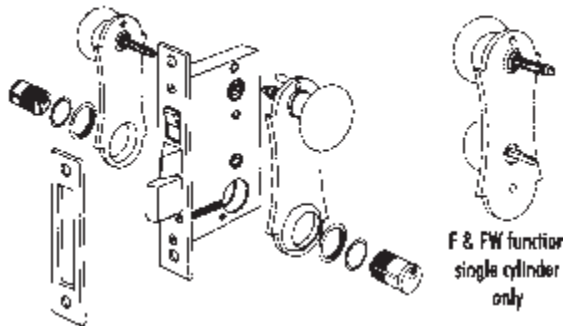
For 8 and 9 Series Mortise Bodies

Code	Finish	Dimensions	Price
MH9004A/10B-T	Dark Bronze	1 1/16" x 7 5/8"	27.00
ML9004A/3-T	Polished Brass	1 1/16" x 7 5/8"	19.00
MH9004A/3-V	Polished Brass	1" x 7 3/4"	21.00
MH9004A/4-T	Satin Brass	1 1/16" x 7 5/8"	21.00
MH9004A/4-U	Satin Brass	1 1/4" x 10"	82.00
MH9004A/4-W	Satin Brass	1" x 7 1/8"	16.00
MH9004A/4-Y	Satin Brass	1 1/4" x 8 5/8"	79.00
MH9004DW/3-T	Polished Brass	1 1/16" x 7 5/8"	18.00



ORNAMENTAL IRON

Series 21 Unilock™



F & FW function single cylinder only

Standard Features

- Door Thickness: 1"
- Series 9 lock body, Backset: 2 1/2"
- Reversible mortise lock 1" bolt, 1/2" latch projection
- Lock front: 1" x 7 1/8"
- Thru-bolted solid brass trim assemblies
- Spring loaded captivated spindles
- Cylinder: 5 pin w/ 2 keys
- Keyway: Marks "A"

MH21AC/3-W	Entrance	Polished Brass	185.00
MH21AC/26D-W	Entrance	Satin Chrome	200.00

- Thru-bolted, solid brass trim assemblies
- Lock and trim easily reversed
- Screwless levers
- Exterior and interior trim assemblies (Interior turn-piece on single cylinder models only)
- Spring loaded spindles
- Reversible mortise lock, 1" bolt, 1/2" latch
- Backset: 2 1/2"
- Front: "W", 1" x 7 1/8" standard
- Strike and mounting screws
- Door thickness, 1" - 1 1/4" (standard)

MH9225AC-US3	Double Cylinder	260.00
MH9225AC-US26D	Double Cylinder	275.00

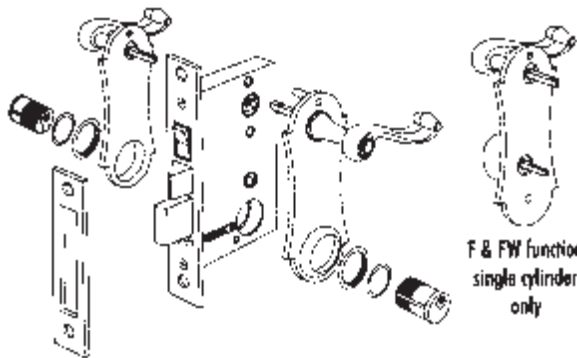
KNOB/ROSE MORTISE LOCKSETS

- Thru-bolted, solid brass trim assemblies
- Lock easily reversed
- Screwless knobs
- Cylinder collar security insert

- Exterior and interior knob/rose assembly (interior turnpiece on single cylinder models only).
- Cylinder collars with exterior security insert
- Integral spring-loaded spindles
- Reversible mortise lock, 1" bolt 1/2" latch. Backset 2 1/2".
- "W" front: 1" x 7 1/8"
- Strike and mounting screws

MH22AC/W-US3	Double Cylinder	185.00
MH22AC/W-US26D	Double Cylinder	200.00

Series 9215 Unilock™



F & FW function single cylinder only

MH9215AC/3-W	Entrance	Polished Brass	260.00
MH9215AC/5-W	Entrance	Antique Brass	275.00
MH9215AC/26D-W	Entrance	Satin Chrome	275.00

NARROW PROFILE CYLINDERS

'A' & 'C' Keyways Available

- Solid brass
- Rekeyable
- Polished Brass



2621



2622

Price for 'A' keyway

MH2621-US3	Single Cyl x Thumbturn	53.00
MH2621-US26D	Single Cyl x Thumbturn	59.00
MH2622-US3	Double Cylinder	39.00
MH2622-US26D	Double Cylinder	47.00

For 'C' keyway, add \$13.00 list



www.accllock.com

- ENTRANCE LOCKSETS
- Knob/Plate

- CYLINDRICAL LOCKSETS
- DEADBOLTS

195 SURVIVOR SERIES

"The Clutch"

- ANSI Grade 1
- U.L. Listed, 3 hour fire rated
- Clutch: Outside lever, when locked, is not rigid but will turn without opening the latch.
- Cast stainless steel retractor with roller bearings
- Standard backset: 2 3/4"
- Front: 1 1/8" x 2 1/4"
- Levers: Solid cast Zamac with 1/2" return
- Roses: Thru-bolted, 3 7/16" dia., spring loaded
- Cylinder: Solid brass, 6 pin
- Strike: #1135 4 7/8" ASA curved lip
- Door thickness: 1 5/8" to 1 7/8". 1 3/8" with #K1904 spacer rings



Electrified Option Available

Code	Finish	Function	Keyway	Price
MH195AB-US3	Polished Brass	Entrance	Schlage	325.00
MH195AB-US26D	Satin Chrome	Entrance	Schlage	325.00
MH195F-US3	Polished Brass	Storeroom	Schlage	325.00
MH195F-US26D	Satin Chrome	Storeroom	Schlage	325.00
MH195N-US3	Polished Brass	Passage		290.00
MH195N-US26D	Satin Chrome	Passage		290.00

110 SERIES CYLINDRICAL LOCKSETS



110 LOCK SERIES
ANSI GRADE 2 *Plus*
STD BACKSET 2 3/8"
ROUND KNOB

- UL Listed, 3 Hour Fire Rated
- Thru-Bolted Mounting Plate
- Cast Stainless Steel Retractor w/Roller Bearings
- Standard Keyways: 6 pin

- Keyways:**
A: Marks- accepts Arrow, Kwikset, Segal 9
C: Schlage- accepts Schlage C

Code	Finish	Function	Keyway	Price
MH110AB-US3	Polished Brass	Entrance	Marks	148.00
MH110AB-US32D	Satin Stainless Steel	Entrance	Schlage	148.00
MH110AB-US32D	Satin Stainless Steel	Entrance	Marks	148.00
MH110DC-US32D	Satin Stainless Steel	Communicating	Schlage	172.00
MH110F-US3	Polished Brass	Storeroom	Schlage	148.00
MH110F-US32D	Satin Stainless Steel	Storeroom	Schlage	148.00
MH110L-US3	Polished Brass	Privacy		121.00
MH110L-US32D	Satin Stainless Steel	Privacy		121.00
MH110N-US3	Polished Brass	Passage		97.00
MH110N-US32D	Satin Stainless Steel	Passage		97.00
MH110S-US3	Polished Brass	Classroom	Marks	148.00
MH110S-US32D	Satin Stainless Steel	Classroom	Marks	148.00

IC CORE (Core Not Included)

MH110RAB-US3	Polished Brass	Entrance	Int. Core	148.00
MH110RAB-US32D	Satin Stainless Steel	Entrance	Int. Core	148.00

1150 CONTRACT LINE CYLINDRICAL LEVERSETS

- ANSI Grade 2
- U.L. Listed, 3 hour fire rated
- Life Test: 1,000,000+ cycles
- Standard backset: 2 3/4"
- Latch: 1 1/8" x 2 1/4"
- Levers: American Design
- Roses: Thru-bolted, 3 5/16" dia.
- Cylinder: Solid brass, 6 pin, Marks "C" keyway
- Strike: 2 3/4" "T" standard
- Door thickness: 1 3/8" to 1 3/4"
- Studs: Removeable thru-bolts; over-under



P/N	Function	Finish		
		3, 4	10B	26D
MH1150AB	Entrance	127.00	141.00	124.00
MH1150F	Storeroom	127.00	146.00	124.00
MH1150S	Classroom	137.00	156.00	134.00
MH1150L	Privacy	119.00	137.00	116.00
MH1150N	Passage	113.00	132.00	110.00
MH1150DT	Full Dummy	102.00	119.00	97.00

Finishes

- US3** Polished Brass
- US4** Satin Brass
- US10B** Dark Bronze
- US26D** Satin Chrome

1120 CONTRACT LINE CYLINDRICAL KNOBSETS

- ANSI Grade 2
- U.L. Listed, 3 hour fire rated
- Life Test: 400,000 cycles min.
- Standard backset: 2 3/8", 2 3/4" optional
- Latch: 1" x 2 1/4" front, 1/2" throw for 2 3/8" backset
- Knobs: 2" diameter ball
- Roses: 3" dia.
- Cylinder: 6 pin, Marks "C" keyway
- Strike: 2 3/4" "T" standard
- Door thickness: 1 3/8" to 1 3/4"



P/N	Function	Finish
MH1120AB	Entrance	3, 32D
MH1120F	Storeroom	84.00
MH1120L	Privacy	58.00
MH1120N	Passage	55.00
MH1120DO	1/2 Dummy	38.00

Finishes

- US3** Polished Brass
- US4** Satin Brass
- US10B** Dark Bronze
- US26D** Satin Chrome
- US32D** Satin Stainless Steel

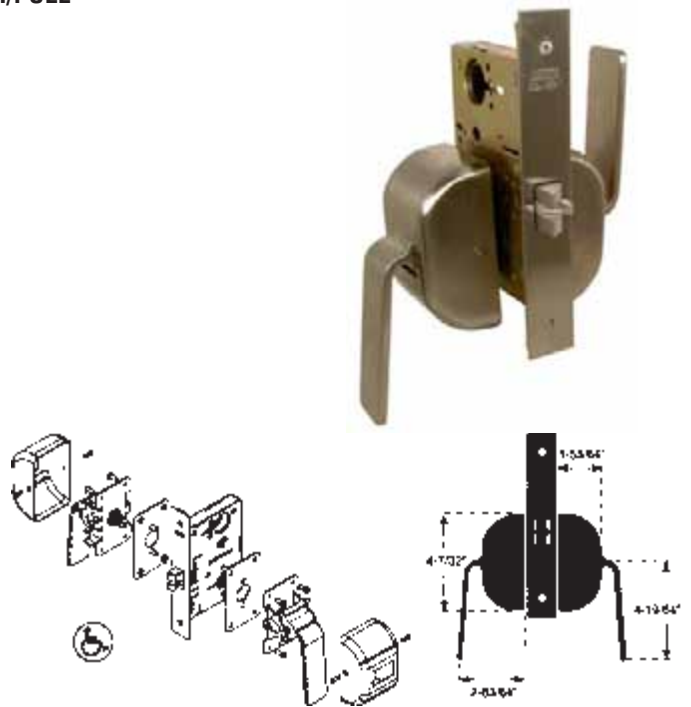


SERIES PD INSTITUTIONAL LIFE SAFETY MORTISE HOSPITAL PUSH/PULL

Standard Features

- Backset: 5 Series 2-3/4", 55 Series 2-1/2"
- Strike: #9035, 4-7/8" ASA curved lip strike
- Door Thickness: 1-3/4", self adjusting for thicker doors
- ANSI-A156.2, Grade 1
- ADA Compliant. Non-Handed
- Lead lining and engraving available
- Government standard #161
- Functional, modern design with variable mounting positions
- Short throw angle allows for easy push/pull action to open doors even when hands are not free
- Standard 32D finish, Consult factory for available finishes
- Universal assemblies can be push/pull vertical up or down
- Easily reversible configuration for push or pull styles

P/N	Function	Finish	Deadbolt	Price
MH5PDEW/32D	Storeroom	Satin Stainless Steel	No	635.00
MH5PDA/32D	Entrance	Satin Stainless Steel	Yes	642.00
MH5PDFW/32D	Dormitory	Satin Stainless Steel	Yes	642.00
MH5PDH/32D	Hotel	Satin Stainless Steel	Yes	662.00
MH5PDN/32D	Passage	Satin Stainless Steel	No	660.00
MH5PDL/32D	Bathroom	Satin Stainless Steel	No	644.00
MH5PDLJ/32D	Privacy	Satin Stainless Steel	No	652.00

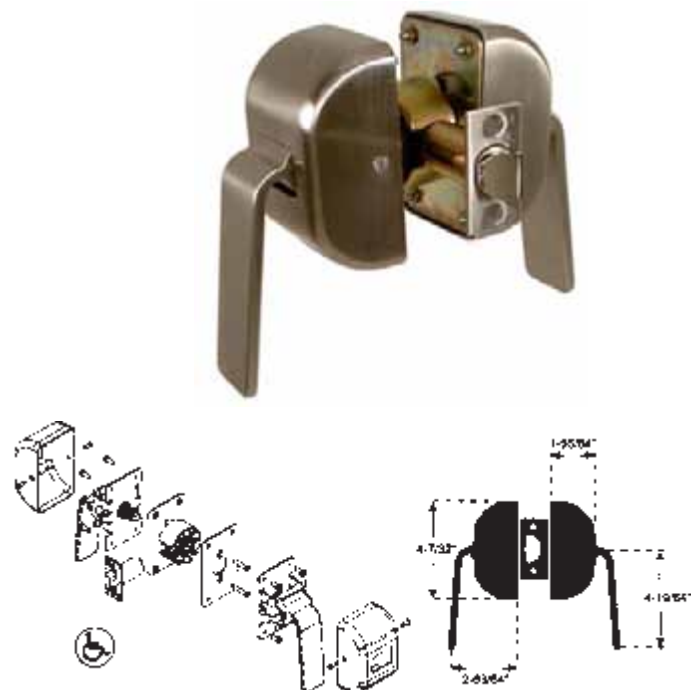


SERIES PD INSTITUTIONAL LIFE SAFETY CYLINDRICAL HOSPITAL PUSH/PULL

- Backset: 2-3/4" standard, 2-3/8" and 5" optional
- Strike: #1136, 2-3/4" "T" strike; #1135 4-7/8" ASA strike optional
- Door Thickness: 1-3/4", self adjusting for thicker doors
- ANSI-A156.2, Grade 1
- ADA Compliant. Non-Handed
- Lead lining and engraving available
- Government standard #161
- Functional, modern design with variable mounting positions
- Short throw angle allows for easy push/pull action to open doors even when hands are not free
- Standard 32D finish, Consult factory for available finishes
- Universal assemblies can be push/pull vertical up or down
- Easily reversible configuration for push or pull styles

Available only in Passage Function

MH1PDN/32D Satin Stainless Steel **250.00**





SERIES 5SS50 INSTITUTIONAL LIFE SAFETY MORTISE LOCKSETS

Performance Specifications

Life Test: 1,500,000 cycles minimum.
ANSI Test: Meets or exceeds all operational and security tests of ANSI specifications A 156.13-2005 for series 5000, Grade 1.

Trim Specifications

Exterior & Interior Trim: Solid stainless steel interior and exterior trim including finger indented safety knobs which recess into solid stainless steel through-bolted roses.

Exterior: Solid stainless steel rose secured to inside trim with two #10-32 bolts with recess for safety knob. Exterior safety knob with captivated spindle and grooved bearing secured to exterior rose by two 8-32 set screws.

Interior: Solid stainless steel rose secured to inside trim with two #10-32 bolts with recess for safety knob. Exterior safety knob with captivated spindle and grooved bearing secured to exterior rose by two 8-32 set screws.

Cylinder: Solid stainless steel cylinders with solid stainless steel security collars. Optional HI-SECURITY™ cylinders available.

Strike: 4-7/8" curved lip stainless steel w/tamperproof screws.

Door Thickness: 1-3/4" standard. Extended range available.

Door Prep: ANSI A115.110 c/c face cutout, with 2-1/8" thru hole for knob/rose assembly.

Backset: 5 Series 2-3/4" standard, 55 Series 2-1/2" optional

Lock Front: Adjustable bevel steel backplate 1-1/4" x 8" x 7/64" thick.

Cover plate 1/16" thick with tamper proof screws.

Latch: Solid stainless steel with antifriction latch lever, 3/4" throw (reversible).

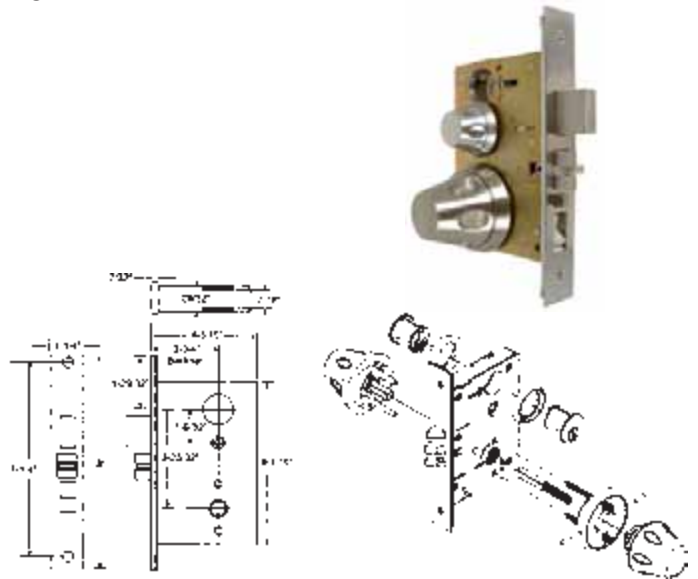
Aux. Deadlatch: 1/2" throw, (reversible).

Case: Stamped steel 3/32" thick, zinc dichromate finish.

Hubs: Steel, 9/32" on diamond, 5/16" on square w/security separator.

Hub Lock Arm: (to lock hub) Steel 1/8" thick.

Spindles: Independent spring-loaded spindles.



P/N	Function	Finish	Deadbolt	Price
MH5SS50E-26D	Office	Satin Chrome	No	817.46
MH5SS50EW-26D	Storeroom	Satin Chrome	No	1062.00
MH5SS50EW-32D	Storeroom	Satin Stainless Steel	No	1062.00
MH5SS50GL-26D	Inst. Privacy	Satin Chrome	No	817.46
MH5SS50H-26D	Hotel	Satin Chrome	Yes	817.46
MH5SS50J-26D	Classroom	Satin Chrome	No	817.46
MH5SS50J-32D	Classroom	Satin Stainless Steel	No	776.58
MH5SS50LJ-26D	Privacy	Satin Chrome	No	1229.00
MH5SS50N-26D	Passage	Satin Chrome	No	1027.00
MH5SS50N-32D	Passage	Satin Stainless Steel	No	1027.00
MH5SS50WW-26D	Institution	Satin Chrome	No	1089.00

SS50 INSTITUTIONAL LIFE SAFETY MORTISE DEADLOCK

Performance Specifications

Life Test: 1,500,000 cycles minimum.
ANSI Test: Meets or exceeds all operational and security tests of ANSI/ BHMA Certified A156.5-2001 for series 31, Grade 1.

Trim Specifications

Interior Trim: Solid stainless steel interior trim including finger indented safety knobs which recess into solid brass through-bolted roses.

Series 31 Deadlock Specifications ANSI E06071 Cylinder X Turnpiece

Deadbolt by outside key. Interior safety knob will retract but not project deadbolt.

Backset: 2-3/4"

Strike: #40351-1/8" x 3-1/8" standard, #3135 4-7/8" x 1-1/4" optional

Bolt Throw: 1" Stainless steel with hardened roll pins

Case: Stamped steel

Front: 1-1/16" x 4-5/8" adjustable bevel

Cylinder: Solid brass cylinder, 6-pin, "C" keyway.

Optional HI-SECURITY™ cylinders available.



P/N	Function	Finish	Price
MH31SS50K-26D	Cyl x Knob	Satin Chrome	460.00
MH31SS50S-26D	Classroom	Satin Chrome	410.00



SERIES SS50 INSTITUTIONAL LIFE SAFETY CYLINDRICAL LOCKSETS AND DEADLATCH LOCKSETS

Trim Specifications

Exterior & Interior Trim:

Solid stainless steel interior and exterior trim including finger Indented safety knobs which recess into solid stainless steel through-bolted roses.

Exterior:

Solid stainless steel rose secured to inside trim with two #10-32 bolts with recess for safety knob. Exterior safety knob with captivated spindle and grooved bearing secured to exterior rose by two 8-32 set screws.

Interior:

Solid stainless steel rose secured to inside trim with two #10-32 bolts with recess for safety knob. Exterior safety knob with captivated spindle and grooved bearing secured to exterior rose by two 8-32 set screws.

1SS50N Cylindrical Lockset: ANSI F75 Passage

Latch by knob either side, always open.

Strike: #1136, 2-3/4" 1" strike

Door Prep: ANS1115.2

Latch: ANSI 156.2, Grade 1, 3 Hour fire rated

Backset: 2-3/4" Backset standard, 2-3/8" backset optional.

3-3/4" and 5" backsets also available.

Latch Face: 1-1/8" x 2-1/4" with tamper proof screws.

Latch Throw: 9/16"

1SS50K Cylindrical Deadlatch Lockset: ANSI E0121 Cylinder x Knob

Latch by knob inside, key outside.

Strike: #1136, 2-3/4" strike; #1135 4-7/8" ASA strike optional

Door Prep: ANSI 115.2

Latch: ANSI 156.2, Grade 1, 3 Hour fire rated

Door Thickness: 1 -3/4"

Backset: 2-3/4" Backset. 3-3/4" and 5" backsets also available.

Latch Face: 1-1/8" x 2-1/4" with tamper proof screws.

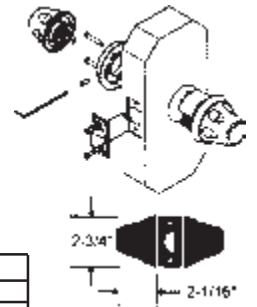
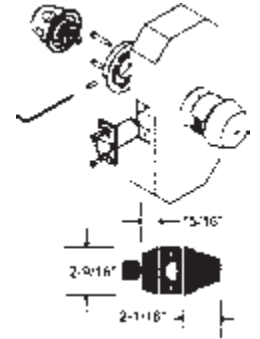
Cylinder: Solid brass cylinder, 6-pin, "C" keyway



1SS50K Cylindrical Deadlatch Lockset



1SS50N Cylindrical Lockset



P/N	Function	Finish	Price
MH1SS50K-26D	Cyl x Knob	Satin Chrome	979.00
MH1SS50N-26D	Passage	Satin Chrome	927.00

HI-SECURITY™

Cylinder Configuration

Marks HI-SECURITY™ cylinders are manufactured of brass bar stock. Cylinders are available in a variety of models. In standard construction, there are 1-1/8", 1-1/4", 1-3/8", 1-1/2", and 1-3/4" mortise cylinders. There are a variety of 1" and 1-1/8" combination mortise/rim cylinders, key-in-knob, large format interchangeable specifically for Medeco®, Schlage® locks and Best® type small format interchangeable core models in 6 and 7 pin lengths. Standard and large format cylinders may be ordered with the UL 437 HI-SECURITY™ option for greater drill resistance, Non-UL with the same pick and bump protection and in Security-Mate® (a standard pin tumbler only cylinder without HI-SECURITY™ features, but matching the same key blank). SFIC is currently available in Non-UL model only at this time. There are a variety of keying options available. "Zero-bitted" cylinders are shipped standard with either a factory default security code or are supplied with a specific customer security code. The common pin tumbler section of the cylinder has springs, driver pins and accommodates a key blank cut to zero in all positions.

What Makes Marks HI-SECURITY™ Unique?

Marks USA patented HI-SECURITY™ cylinders offer a secondary mechanical locking mechanism that creates resistance to bump and picking attacks. In addition, the design supports a corresponding configuration on the key blank called a "security wave" that supports prevention of unauthorized duplication of keys. The locking principal is adaptable to standard cylinders and large and small format interchangeable cores.

Marks USA HI-SECURITY™ keyways and security waves are of proprietary origination. The distribution of key blanks is factory controlled. Multiple keyways and security codes are available. Assignment is by geographic or customer category type.

The Marks USA HI-SECURITY™ pick and bump resistance features are designed with added security in mind for cylinders, cores and key blanks. In addition, patents provide legal protection for patent infringement against those who attempt to produce or manufacture key blanks or cylinders. Marks USA will aggressively defend its patent rights!



Call For Pricing and Ordering Information

These Cylinders and Keys are Presently

In Stock!

The Principle

The correct security finger pins correspond to a unique security wave in the key blank, enabling the secondary locking mechanism, a sidebar, to engage, and in conjunction with adjacent and correctly aligned common pin tumblers in the primary locking chambers allows the cylinder plug to rotate. Security finger pins and corresponding codes and security waves are determined at the factory.

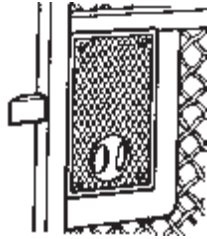


www.accllock.com

- GATE LOCKS
- Reversible Sliding • Reversible Swinging

REVERSIBLE SWINGING GATE LOCKS

Replaces Mul-T-Lock Gate Locks. Cast Aluminum. Case Size: 3 5/8" x 6 1/4" x 1". Groove: 1/2" wide x 3/16" deep, all sides for wire gate insertion. Uses 5-pin cylinder. Keeper not furnished. Packed 12 per case.



SINGLE CYLINDER MODEL

Code	Latch Projection	Channel Size	Description	Price
MHW3700	1 1/8"	1/2"	No Cylinder	116.00
MHW3700K	1 1/8"	1/2"	With cylinder	145.00

MHW3710	1 1/4"	5/8"	No cylinder	116.00
MHW3710K	1 1/4"	5/8"	With cylinder	145.00

MHW3720	1 3/8"	3/4"	No cylinder	116.00
MHW3720K	1 3/8"	3/4"	With cylinder	145.00

DOUBLE CYLINDER MODEL

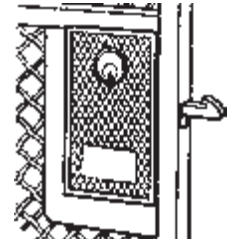
Code	Latch Projection	Channel Size	Description	Price
MHW3750	1 1/8"	1/2"	No Cylinder	163.00
MHW3750M	1 1/8"	1/2"	With Cylinder	221.00

MHW3760	1 1/4"	5/8"	No Cylinder	163.00
MHW3760M	1 1/4"	5/8"	With Cylinder	221.00

MHW3770	1 3/8"	3/4"	No Cylinder	163.00
MHW3770M	1 3/8"	3/4"	With Cylinder	221.00

REVERSIBLE SLIDING GATE LOCKS

Replaces Mul-T-Locks. Cast Aluminum. Case Size: 3 5/8" x 6 1/4" x 1". Groove: 1/2" wide x 3/16" deep, all sides for wire gate insertion. Uses 5-pin cylinder. Keeper not furnished. Packed 12 per case.



SINGLE CYLINDER MODEL

Code	Hook Gap	Channel Size	Description	Price
MHW3800	.825"	1/2"	No Cylinder	116.00
MHW3800K	.825"	1/2"	With Cylinder	145.00

MHW3810	.950"	5/8"	No Cylinder	116.00
MHW3810K	.950"	5/8"	With Cylinder	145.00

MHW3820	1.075"	3/4"	No Cylinder	116.00
MHW3820K	1.075"	3/4"	With Cylinder	145.00


DOUBLE CYLINDER MODEL

Code	Hook Gap	Channel Size	Description	Price
MHW3850	.825"	1/2"	No Cylinder	163.00
MHW3850M	.825"	1/2"	With Cylinder	221.00


MHW3860	.950"	5/8"	No Cylinder	163.00
MHW3860M	.950"	5/8"	With Cylinder	221.00

MHW3870	1.075"	3/4"	No Cylinder	163.00
MHW3870M	1.075"	3/4"	With Cylinder	221.00

MORTISE LOCK PARTS

	MHKRW10/3	Polished Brass	147.00
	MHKRW10/32D	Satin Stainless Steel	147.00

Apollo Knob w/Plain Rose

	MHKRS20/3	Polished Brass	136.00
	MHKRS20/32D	Satin Stainless Steel	136.00

Concord Knob w/Small Rose


	MHKRW92/3	Polished Brass	246.00
	MHKRW92/32D	Satin Stainless Steel	262.00

American Lever/Rose Kit


	MHK9225/3	Polished Brass	143.00
	MHK9225/5	Antique Brass	150.00
	MHK9225/26D	Satin Chrome	150.00

Lever Rose Kit


ORNAMENTAL IRON KITS & ACCESSORIES

	MHK21AC/3	Polished Brass	97.00
	MHK21AC/5	Antique Brass	108.00

Knob Plate Assembly Kit

	MHK9215AC/3	Polished Brass	147.00
	MHK9215AC/5	Antique Brass	156.00

Uni-Lock Lever Plate Kit

	MHK22/3	Polished Brass	57.00
	MHK22/3-M	Polished Brass	62.00
		Mushroom	

Knob Rose Kit 1"-1 3/4" Door